



## 5228-29 – BERLINGO [18+] (SWB-LWB)

**370 OR009**

**INSTALLATION GUIDE**



**60 min.**

5228-29 BERLINGO  
[18+]

370 OR009

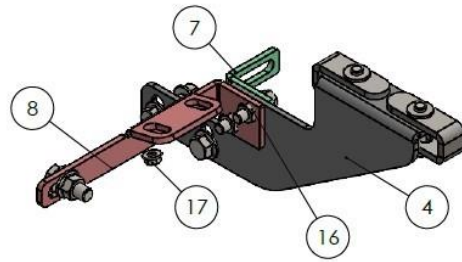
14.06.2023

1

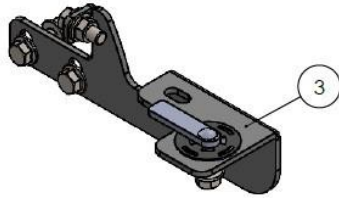
## Safety Instructions

- Carefully unpack the product and check whether the product is correct and complete. (Blows, scratches, dents, etc.)
- Two personnel should be present during the assembly process. Perform the assembly process with two people.
- Take all your safety precautions before starting the assembly.
- Take the vehicle to be assembled to the area to be mounted in a suitable and positioned position. (Lift etc.)
- While the vehicle is being taken off the lift, position it parallel to the lift and properly.
- Be sure to supply the tools required for the assembly process in advance.
- Check that all materials are complete and complete by referring to page 3 of the installation manual.
- When attaching the product to the apparatus, the forward, backward / right, left settings should be correct. Care should be taken not to collide with the mat or any other place on the vehicle.
- During the assembly of the product, carefully follow all the steps by carefully following the assembly guide that comes out of the box of the product.
- The product apparatus is designed to assemble to your vehicle without any welding. Do not weld in any way.
- Do not tighten the bolts before aligning the product to the apparatus and the vehicle.
- After making all your adjustments, tighten all the bolts.
- Do not throw away the boxes until the assembly process is completed.
- Finally, when the assembly is finished, make your checks and finish the process and throw the packaging away.

**Note: Our company is not responsible for the problems caused by not following the general safety instructions above.**

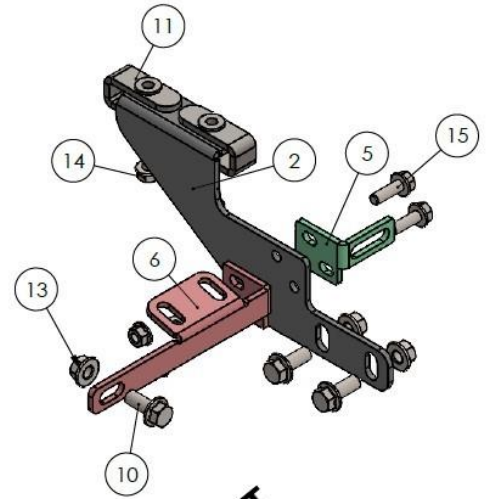
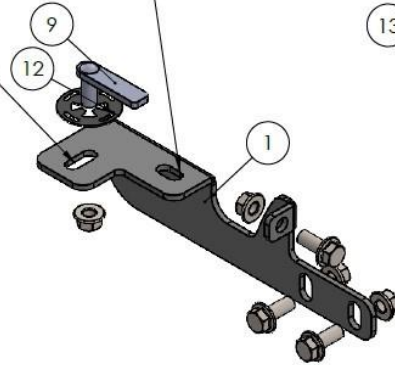


M6 = 10 Nm  
M8 = 25 Nm  
M10 = 50 Nm



FOR USE THIS HOLE 5220

FOR USE THIS HOLE 5228-29

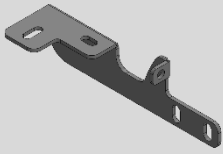


**FRONT**

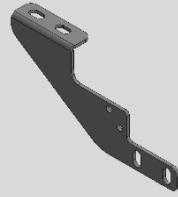
ITEM NO.	PART NUMBER	QTY.
1	86-87 KIT OR_F0 Driver	1
2	86-87 KIT OR_B0 Driver	1
3	86-87 KIT OR_F0 Passenger	1
4	86-87 KIT OR_B0 Passenger	1
5	86-87 KIT (swb) bracket Driver	1
6	86-87 KIT (lwb) bracket Driver	1
7	86-87 KIT (swb) bracket Passenger	1
8	86-87 KIT (lwb) bracket Passenger	1
9	HTC 262 - M10X30 (5X15X60)	2
10	M10x25 Flange Bolt	12
11	HTC 220 - M8	4
12	HTC 269 - CLIPS (M10)	2
13	M10 Flange Nut	14
14	M8x30 Flange Bolt	4
15	M8x25 Flange Bolt	4
16	M8 Flange Nut	4
17	M6 Flange Nut	2



# Box Contents



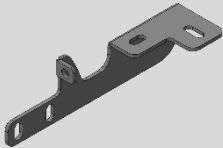
**DRIVER SIDE  
FO BRACKET  
x1**



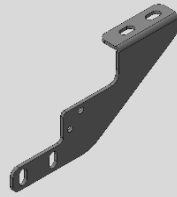
**DRIVER SIDE  
B0 BRACKET  
x1**



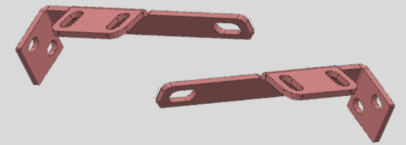
**DRIVER / PASSENGER SIDE  
(swb) BRACKET  
x2**



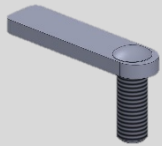
**DRIVER SIDE  
FO BRACKET  
x1**



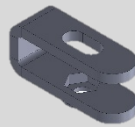
**PASSENGER SIDE  
B0 BRACKET  
x1**



**DRIVER / PASSENGER SIDE  
(lwb) BRACKET  
x2**



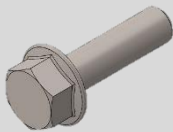
**HTC 262 M10x30  
(5x15x60)  
x2**



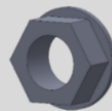
**HTC 220  
M8  
x4**



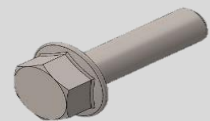
**HTC 269  
CLIPS M10  
x2**



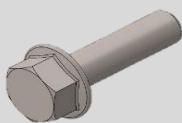
**M10x25  
FLANGE BOLT  
x12**



**M10 FLANGE NUT  
x14**



**M8x30  
FLANGE BOLT  
x4**



**M8x25  
FLANGE BOLT  
x4**

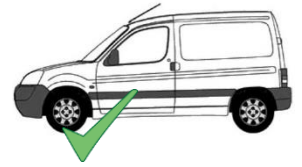


**M8 FLANGE NUT  
x4**



**M6 FLANGE NUT  
x2**

# Brackets Assembly



1



Use the original holes in the image to attach the driver front bracket.

2



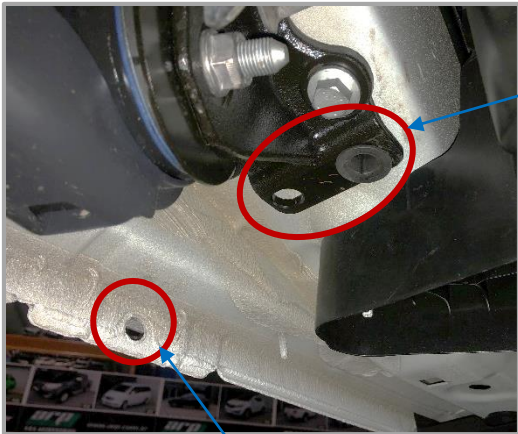
Insert the HTC 262 bolt into the marked hole and tighten with the clip.

3



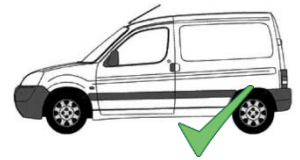
Fix the front brackets to the vehicle with the help of M10x25 bolt and nut.

4



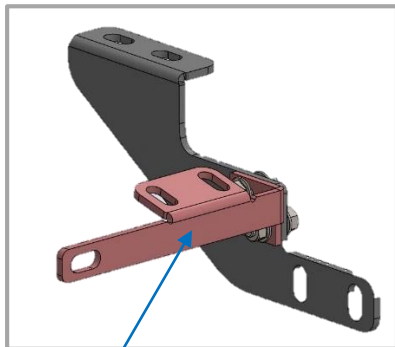
HTC 220

M10x25 Flange Bolt  
M10 Nut

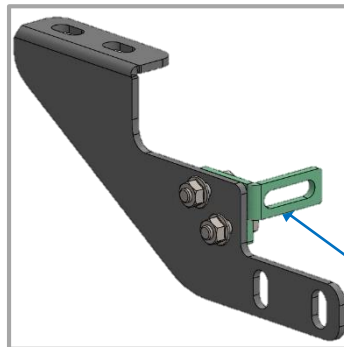


The attachment points of the rear bracket are the marked places.

5



For LWB

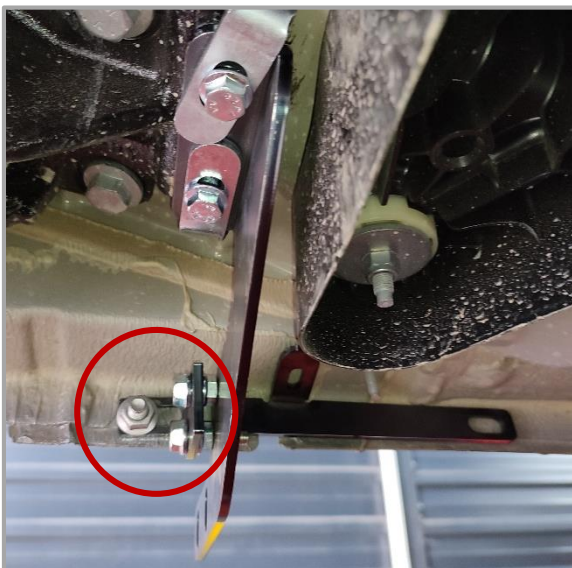


For SWB

For SWB vehicle, mount the swb apparatus to the rear apparatus with the help of M8x25 bolt and M8 nut.

6

SWB



LWB

