



**VEPRO OY**

## 3037 FORD TRANSIT 05/2014- FITTING INSTRUCTIONS

To mount this product you will need Sikaflex 252 glue, Sikaflex primer and Sikaflex cleaner(not supplied with the kit).

1. Place the side bracket on the A-pilar so that the vertical side follows the innerside of the a-pilar and the bottom side is 600mm +-20mm from the bottom line of the a-pilar.

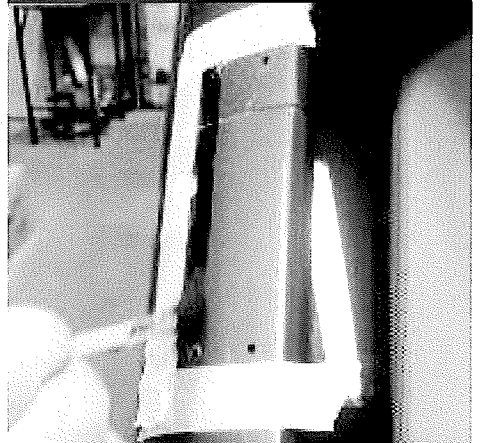
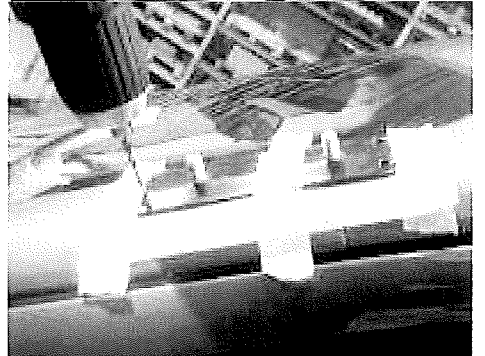
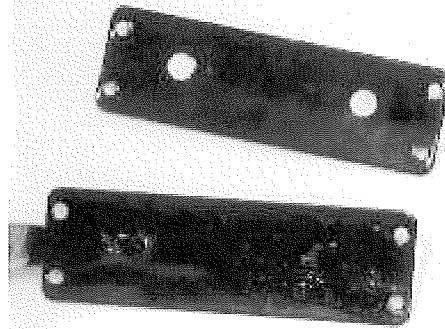
Make sure that longer edge of the sidebracket whic is marked, is towards center of vehicle.

2. Mark the area of the side bracket. Mark the hole positions and drill the holes with 3,5mm bit.

3. Clean the mounting area with sikaflex cleaner and the backside of the bracket.

4. Apply sikaflex primer on the cleaned areas and let it react for 15 minutes.

5. Apply sikaflex 252 on the holes and backside of the side bracket and place it on the a-pilar.



Osoite/Address  
Tehtaankatu 21,  
11710 RIIHIMÄKI  
FINLAND

Puhelin/Telephone  
+ 358 19 724 000

Telefax  
+ 358 19 720 765

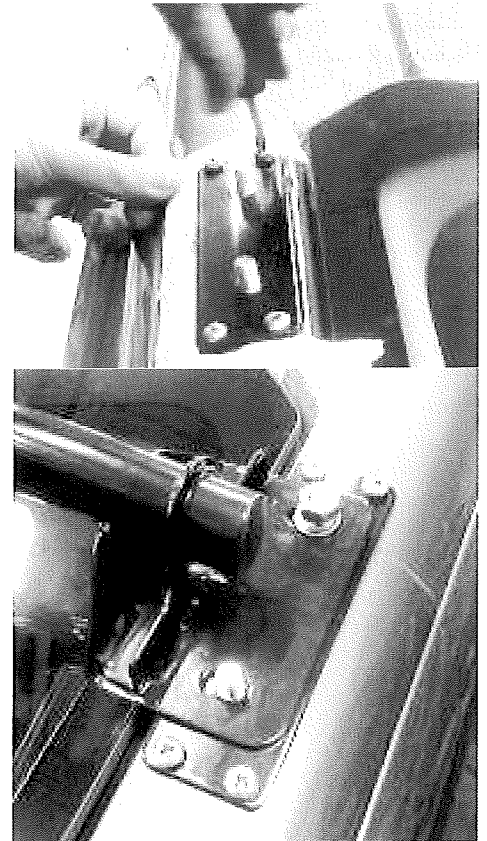
Pankki/Bank  
OKO 539602-254945  
Sampo 800016-70104554  
FI09001798



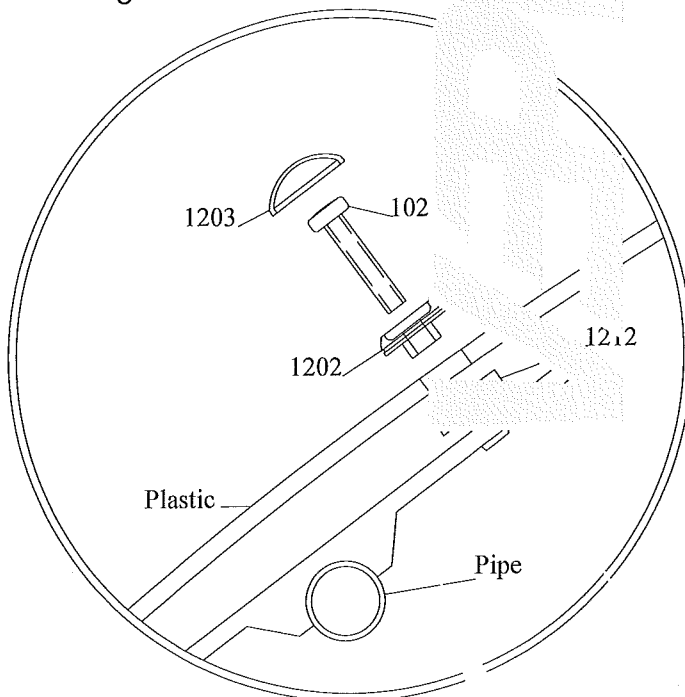
# VEPRO OY 3037 FORD TRANSIT 05/2014- FITTING INSTRUCTIONS

6. Make sure that longer edge of the sidebracket which is marked, is towards center of vehicle and mount the sidebracket on the pillar with 4,8x13mm screws.

7. Mount the main bracket on the side brackets by using the 8mm washers, spring washers and nuts.



8. Mount the visor on the main bracket according to the drawing.



9. Mount the warning label on a place where the driver can see it. Remember to tighten all screws after few hours drive and every 6 months.

## WARNING!

The speed limit for the vehicle with the visor mounted is 130 km/h. If you drive constantly faster than 130 km/h the visor may tear off!

**ANY NON-COMPLIANCE WITH THESE REGULATIONS CAUSE NO RESPONSIBILITY TO THE MANUFACTURER OF ANY COSTS AND DAMAGES.**