

77IRL - CS001 - ROOF RACK

FITTING FOR:

FORD CUSTOM 2018+ LWB (L2)



INSTALLATION INSTRUCTIONS

ATTENTION!

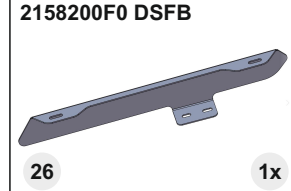
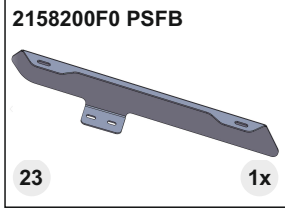
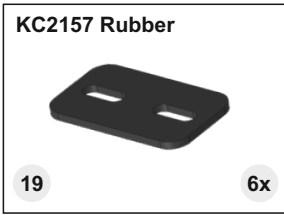
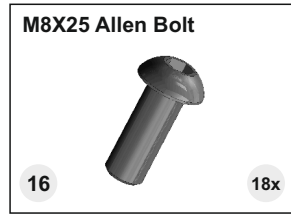
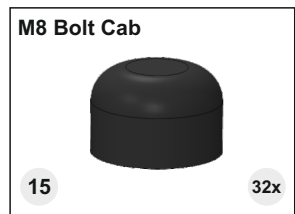
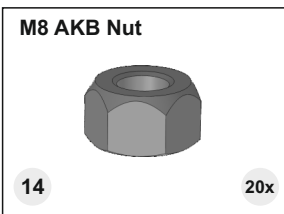
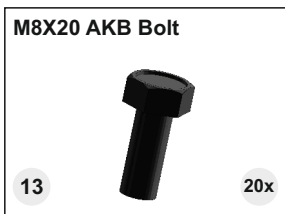
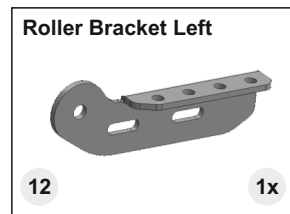
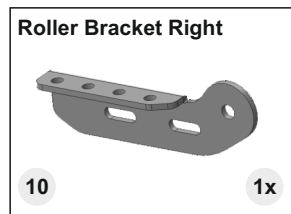
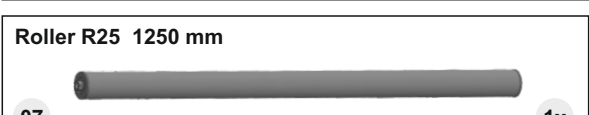
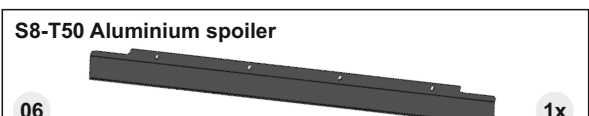
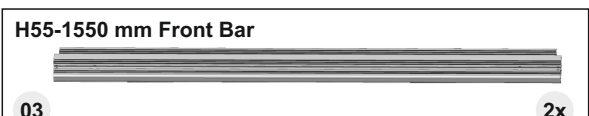
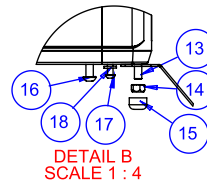
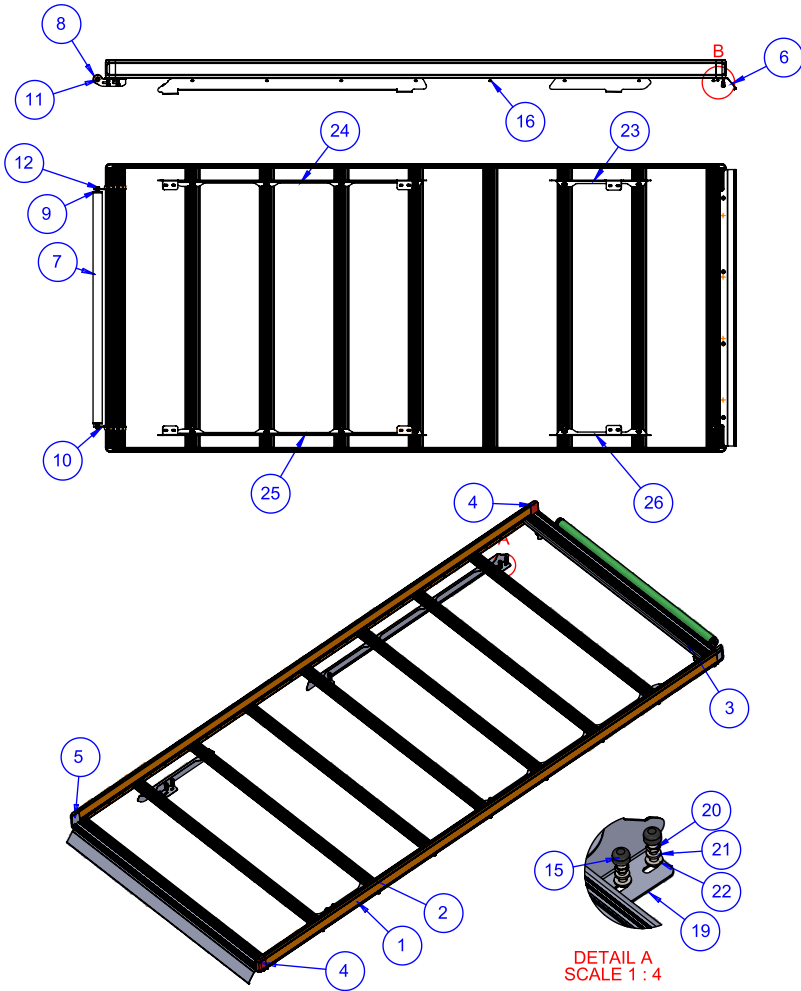
- Check the box before installation.
- Read the guide before installation for your safety and making complete installation.
- Make the installation according to the installation guide otherwise, our company has no responsibility for any damage.
- If you any have questions please contact our company.

INSTALLATION OF CROSS PROFILES

WARNING: THIS PROCESS WILL BE MADE BEFORE 5TH STEP IN THE PRODUCT GUIDE.



CROSS PROFILES WILL BE MOUNTED TO 4TH HOLE AFTER EVERY 3 HOLES AS SHOWN ON FIGURE ABOVE.



NECESSARY TOOLS

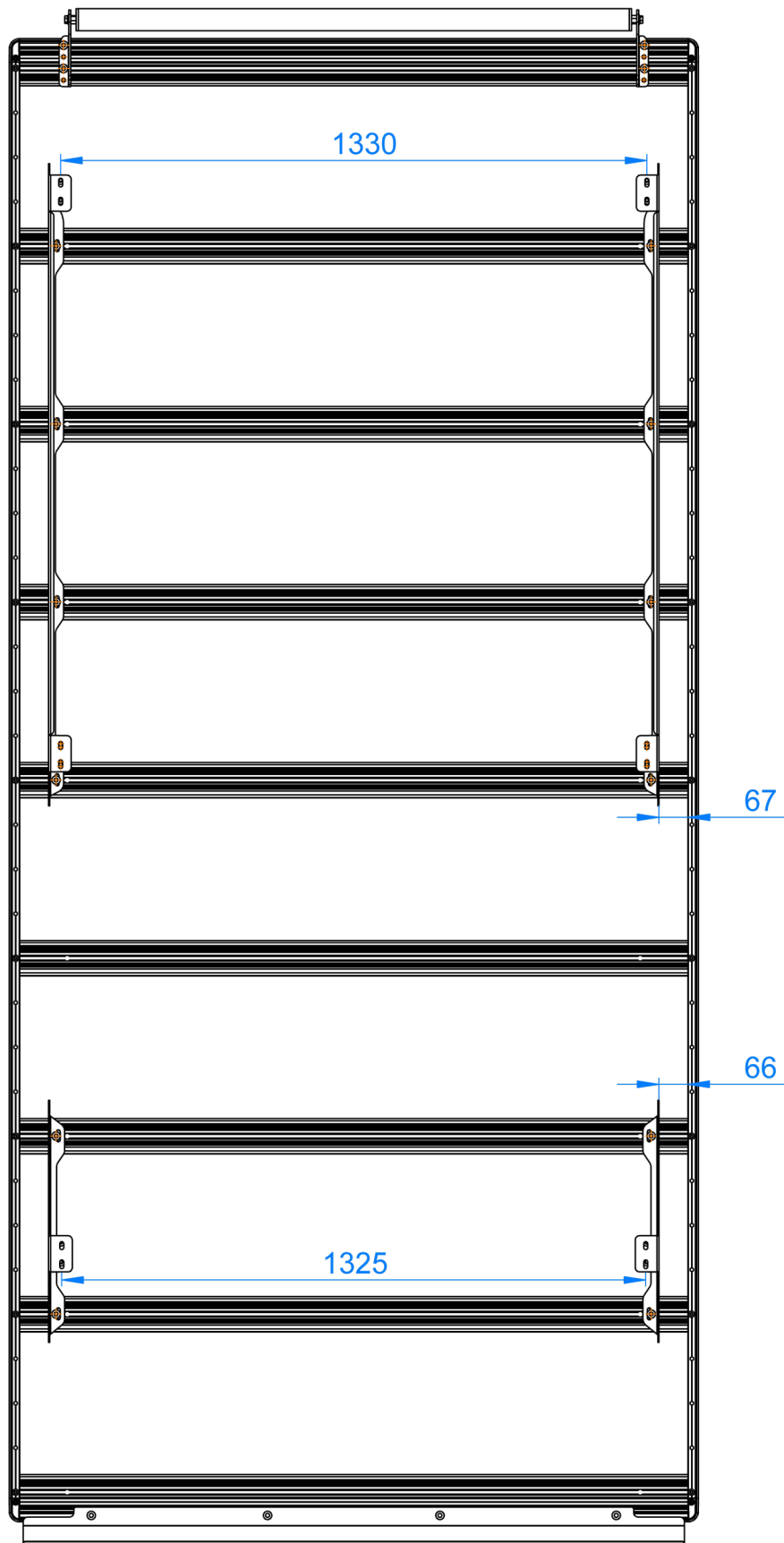
Allen Key 5 mm
Spanner 13 mm
Meter



ITEM NO.	PART NUMBER	DESCRIPTION	QTY.
1	L32 - 3259mm	Side Bar	2
2	W55 - 1550mm	Cross Bar	7
3	H55 - 1550mm	Front Bar	2
4	C5-AK1--1	Cap Right	2
5	C5-AK1--2	Cap Left	2
6	S8T50	Aluminium Spoiler	1
7	Roller R25	1250mm	1
8	P9-C3 R2	Roller Plastic	2
9	P9-C3 R3	M10 Nut	2
10	Roller Yan Aparat	Right	1
11	M10x20 AKB Bolt	Stainless-Chrome	2
12	Roller Yan Aparat	Left	1
13	M8x20 AKB Bolt	Stainless-Chrome	20
14	M8 AKB Nut	Stainless-Chrome	20
15	M8 Bolt's Cap	Black - Plastic	32
16	M8x25 Allen Bolt	Stainless-Chrome	18
17	M6x16 Allen Bolt	Stainless-Chrome	4
18	M6 Spring Washer	Stainless-Chrome	4
19	KC2157 Rubber	Rubber-Black	6
20	M8x25 AKB Bolt	Stainless-Chrome	12
21	M8 Spring Washer	Stainless-Chrome	12
22	M8 Wide Washer	Stainless-Chrome	12
23	2158200F0	Passenger Side Front Bracket	1
24	2158200B0	Passenger Side Rear Bracket	1
25	2158200B0	Driver Side Rear Bracket	1
26	2158200F0	Driver Side Front Bracket	1
27	Sista Silicon	Silicon Package	1

INSTALLING BRACKETS TO THE ROOF RACK

REAR



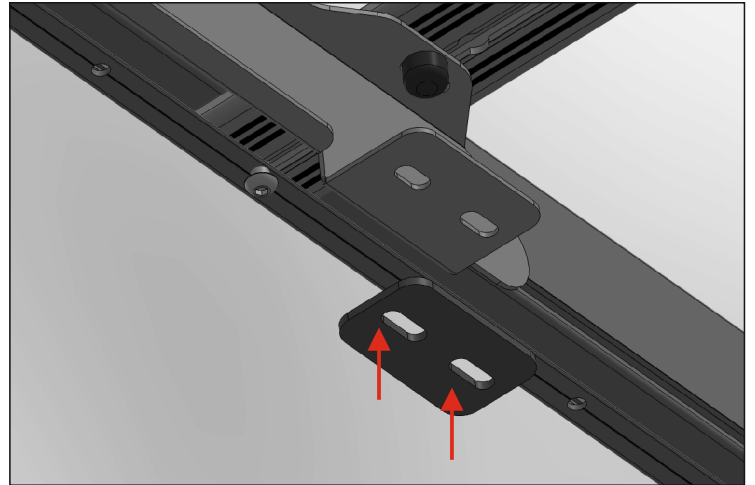
FRONT



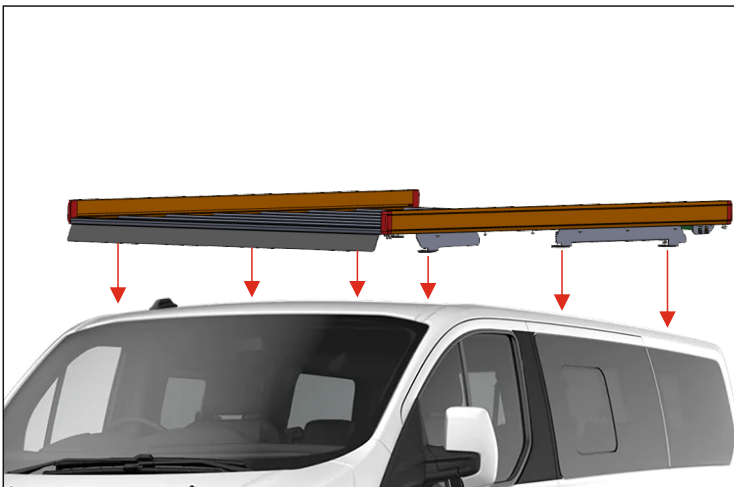
ASSEMBLY OF THE ROOF RACK ON THE VEHICLE



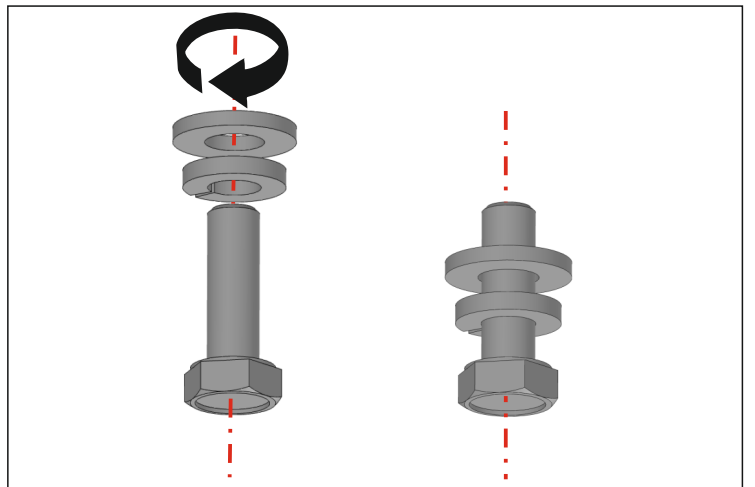
STEP-1 Remove factory rubber plugs as shown.



STEP-2 Put supplied rubber part in the bottom part of the bracket on the vehicle.



STEP-3 Match holes of the assembled roof rack to holes on the vehicle.



STEP-4 Attach spring washer first then flat washer to M8x25 hex bolts

STEP-5 Apply the silicon around the hole and pass to 6th step before it gets dry.



STEP-6 Fix the bracket with bolt to the holes on the vehicle. Repeat this process for all brackets.

CONTROL ALL INSTALLATION AND FINISH ASSEMBLY AFTER INSTALLING PLASTIC BOLT CAPS TO M8 HEX NUTS.

