

# 70IRL - CS001 - ROOF RACK

**FITTING FOR:**

**FIAT DOBLO 2015+ SWB (L1)**

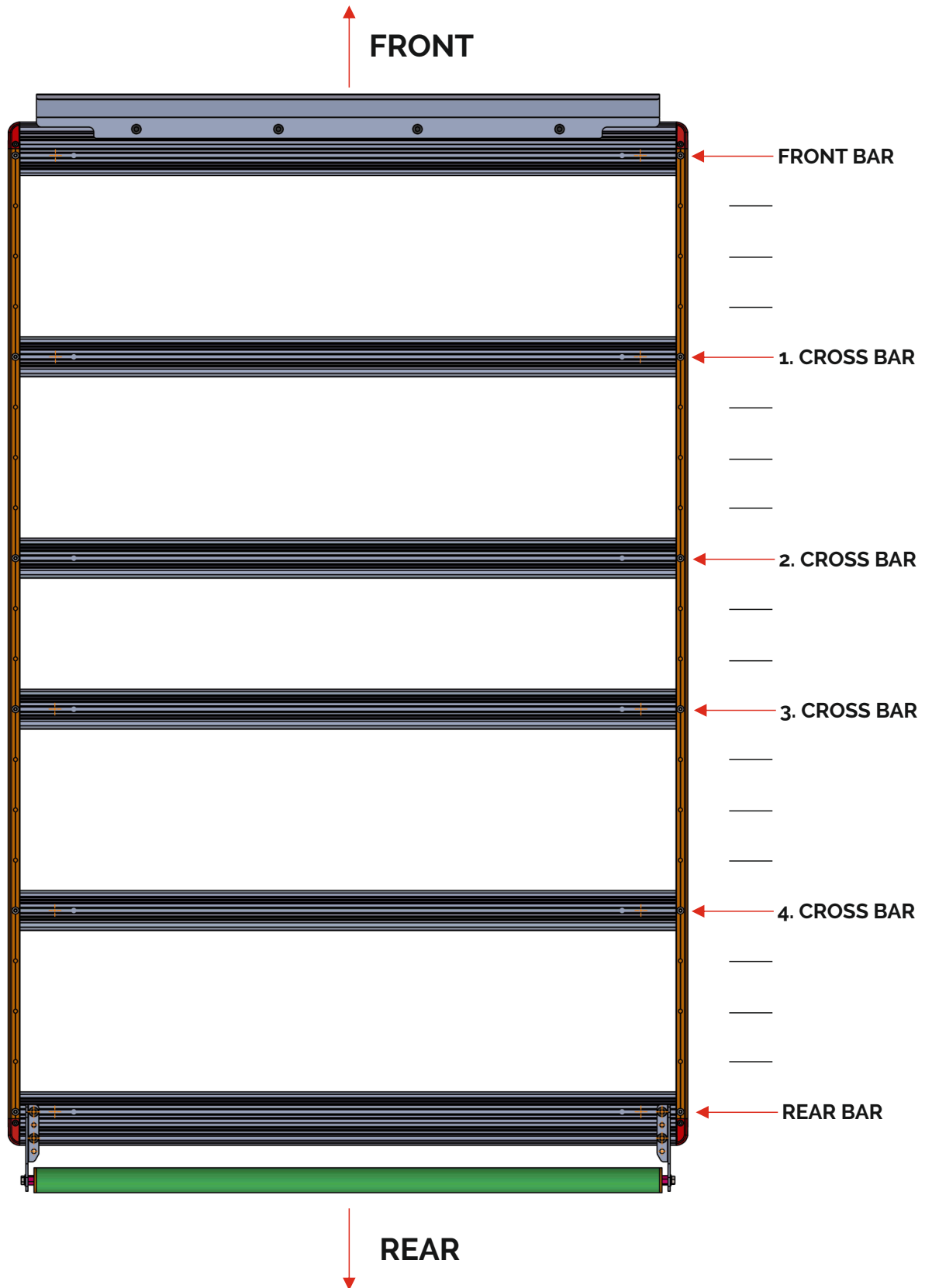


## INSTALLATION INSTRUCTIONS

### **ATTENTION!**

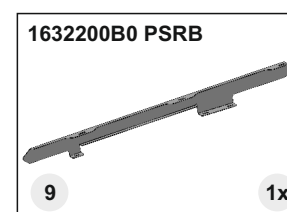
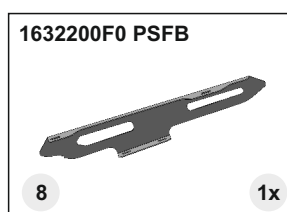
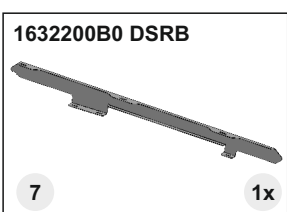
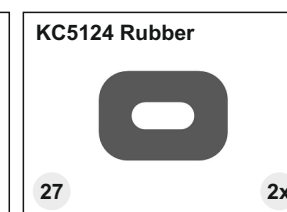
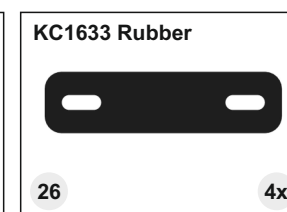
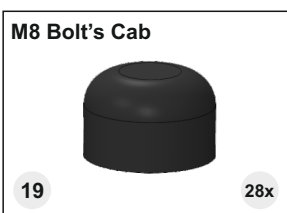
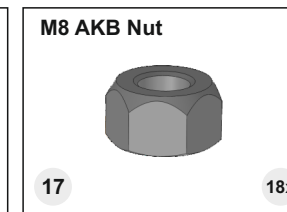
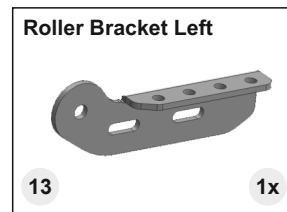
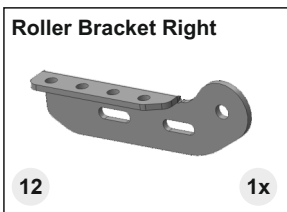
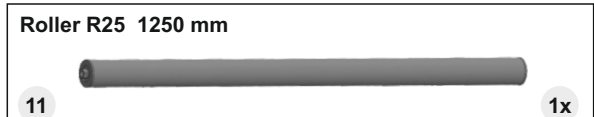
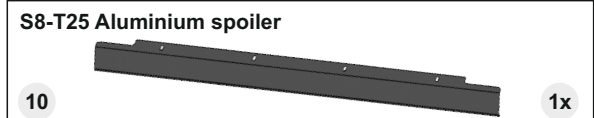
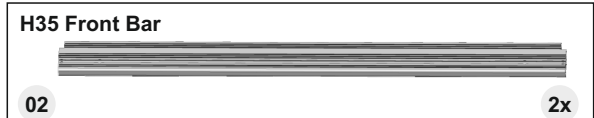
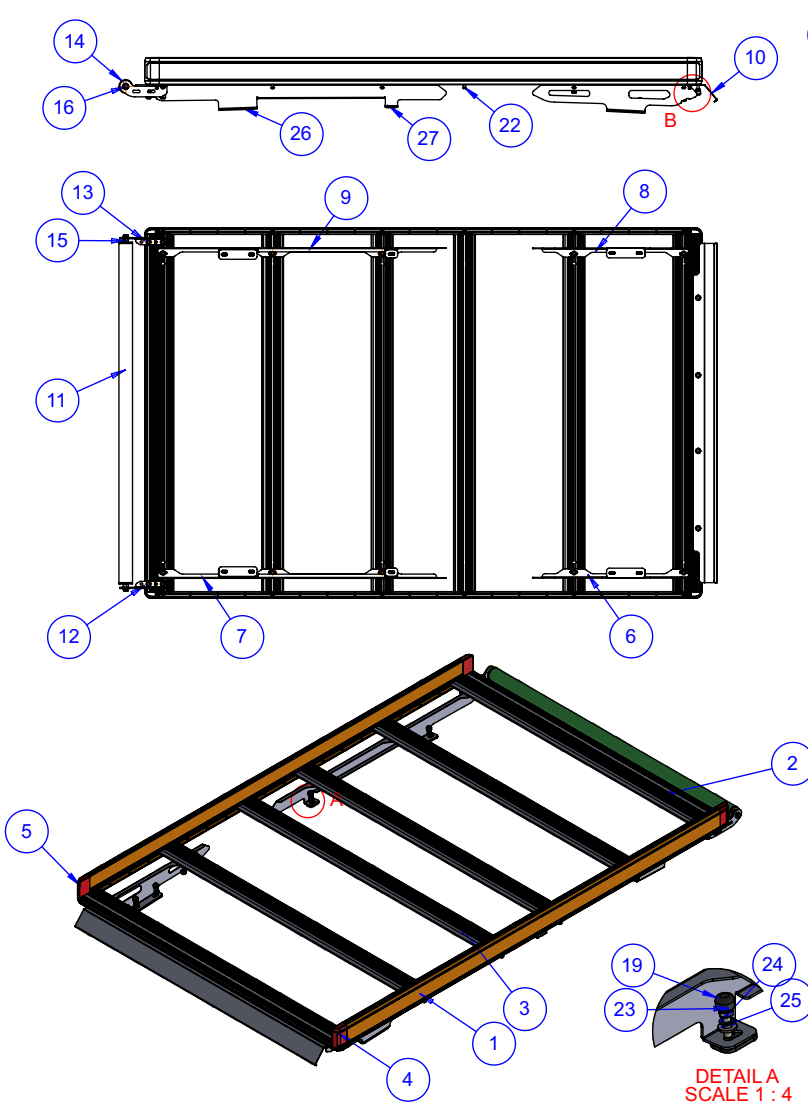
- Check the box before installation.
- Read the guide before installation for your safety and making complete installation.
- Make the installation according to the installation guide otherwise, our company has no responsibility for any damage.
- If you any have questions please contact our company.

**WARNING: THIS PROCESS WILL BE MADE BEFORE 5TH STEP IN THE PRODUCT GUIDE.**



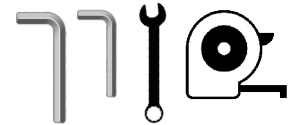
**CROSS PROFILES WILL BE MOUNTED AS SHOWN ON FIGURE ABOVE.**

# NECESSARY MATERIALS



**NECESSARY TOOLS**

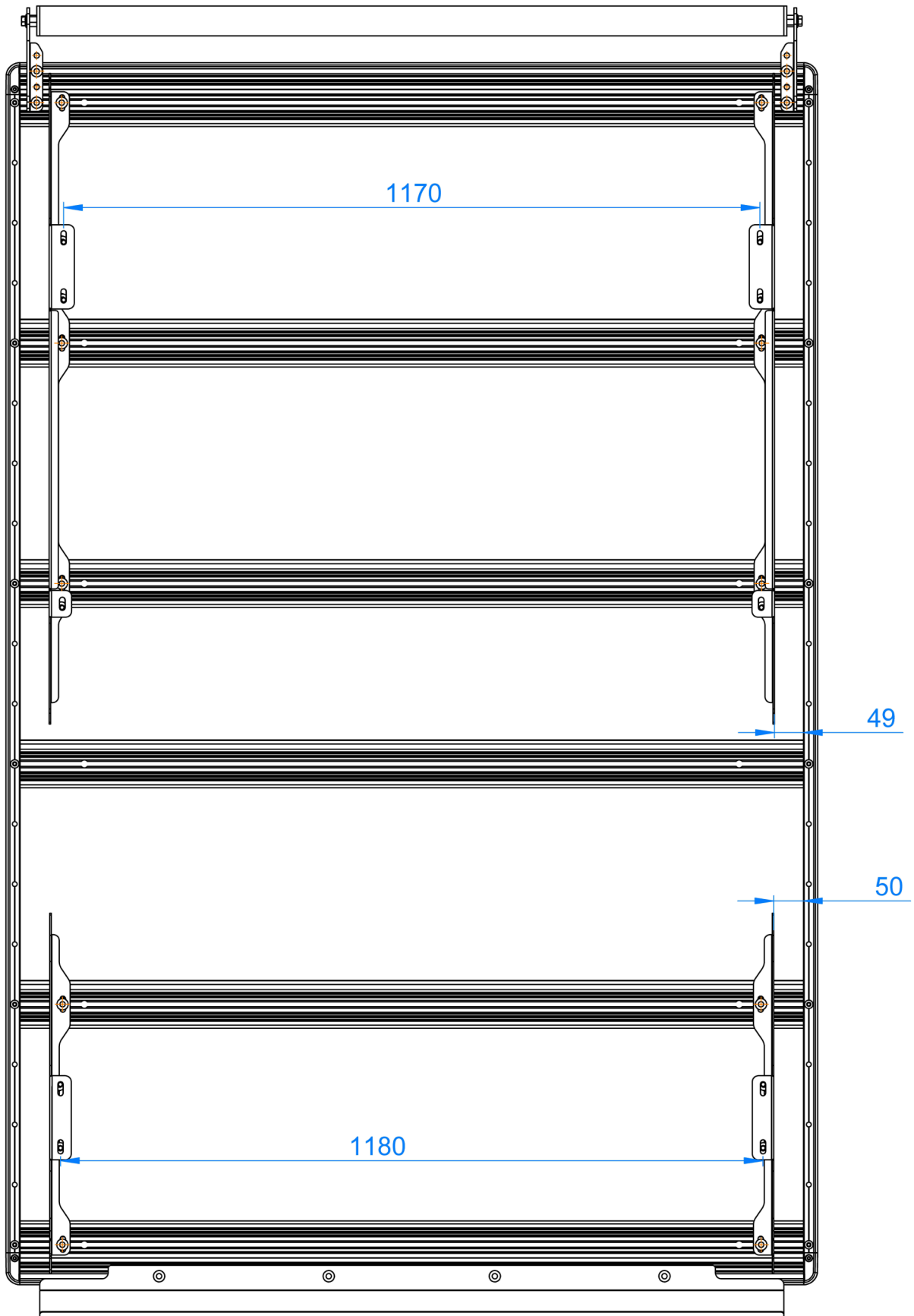
Allen Key 5 mm
Spanner 13 mm
Meter



ITEM NO.	PART NUMBER	DESCRIPTION	QTY.
1	L19	Side Bar	2
2	H35	Front Bar	2
3	W35	Cross Bar	4
4	C5-AK1	Cap Right	2
5	MirrorC5-AK1	Cap Left	2
6	1632200F0	Driver Side Front Bracket	1
7	1632200B0	Driver Side Rear Bracket	1
8	1632200F0	Passenger Side Front Bracket	1
9	1632200B0	Passenger Side Rear Bracket	1
10	S8T25	Aluminium Spoiler	1
11	Roller R25	1250mm	1
12	Roller Yan Aparat	Left	1
13	Roller Yan Aparat	Right	1
14	P9-C3 R2	Roller Plastic	2
15	P9-C3 R3	M10 somun	2
16	M10 x 20 AKB Bolt	Stainless-Chrome	2
17	M8 AKB Nut	Stainless-Chrome	18
18	M8x20 AKB Bolt	Stainless-Chrome	18
19	M8 Bolt's Cab	Black-Plastic	28
20	M6 Spring Washer	Stainless-Chrome	4
21	M6x16 Allen Bolt	Stainless-Chrome	4
22	M8x25 Allen Bolt	Stainless-Chrome	12
23	M8x25 AKB Bolt	Stainless-Chrome	10
24	M8 Spring Washer	Stainless-Chrome	10
25	M8 Wide Washer	Stainless-Chrome	10
26	KC1633 Rubber	Rubber-Black	4
27	KC5124 Rubber	Rubber-Black	2
28	Sista Silicon	Silicon Package	1

# INSTALLING BRACKETS TO THE ROOF RACK

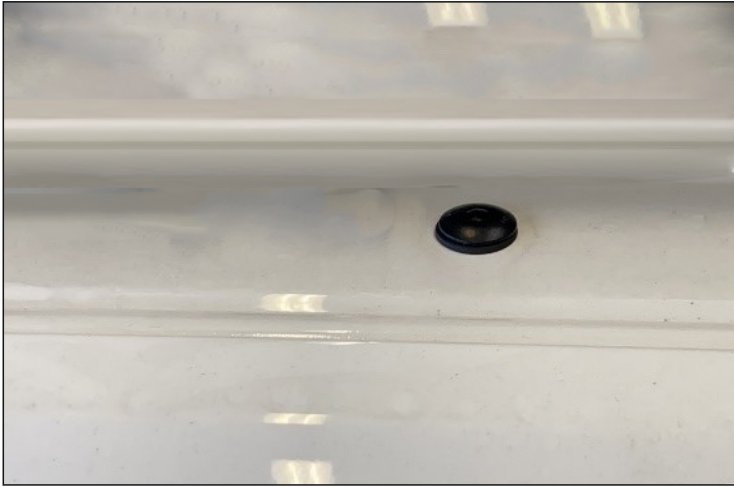
REAR



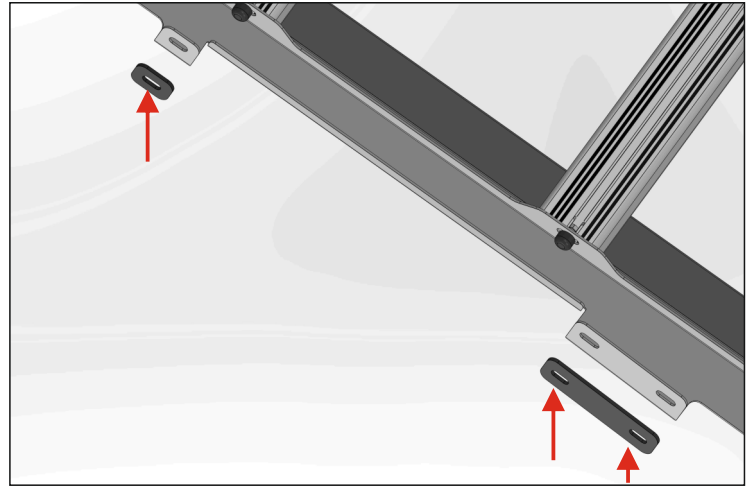
FRONT



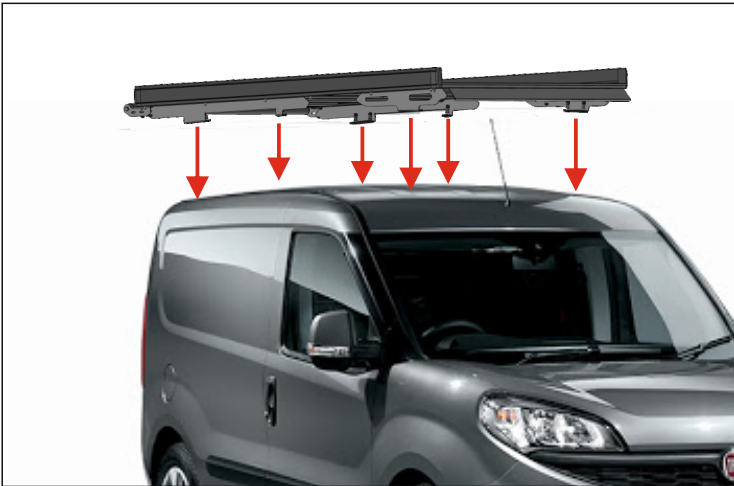
## ASSEMBLY OF THE ROOF RACK ON THE VEHICLE



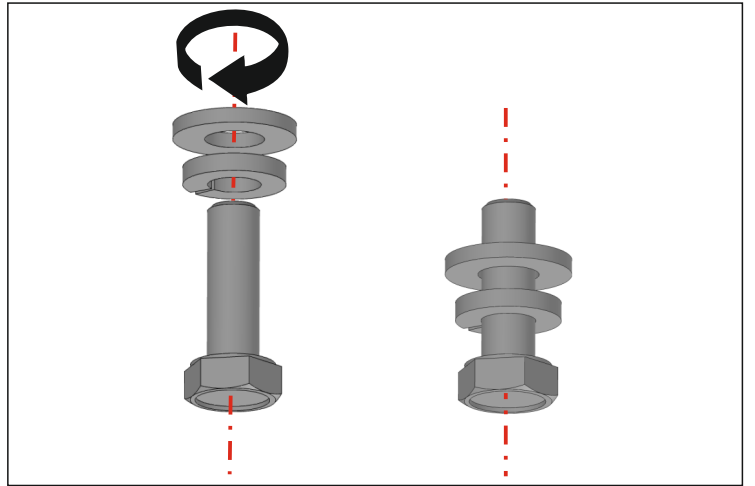
**STEP-1** Remove factory rubber plugs as shown.



**STEP-2** Put supplied rubber part in the bottom part of the bracket on the vehicle.

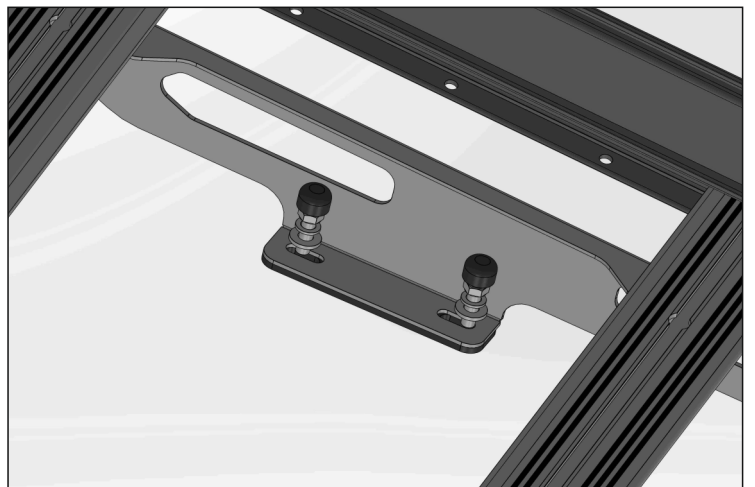


**STEP-3** Match holes of the assembled roof rack to holes on the vehicle.



**STEP-4** Attach spring washer first then flat washer to M8x25 hex bolts

**STEP-5** Apply the silicon around the hole and pass to 6th step before it gets dry.



**STEP-6** Fix the bracket with bolt to the holes on the vehicle. Repeat this process for all brackets.

**CONTROL ALL INSTALLATION AND FINISH ASSEMBLY AFTER INSTALLING PLASTIC BOLT CAPS TO M8 HEX NUTS.**



