

60IRL - CS001 - ROOF RACK

FITTING FOR:

**VOLKSWAGEN CADDY MAXI
2015-2019 (L2)**



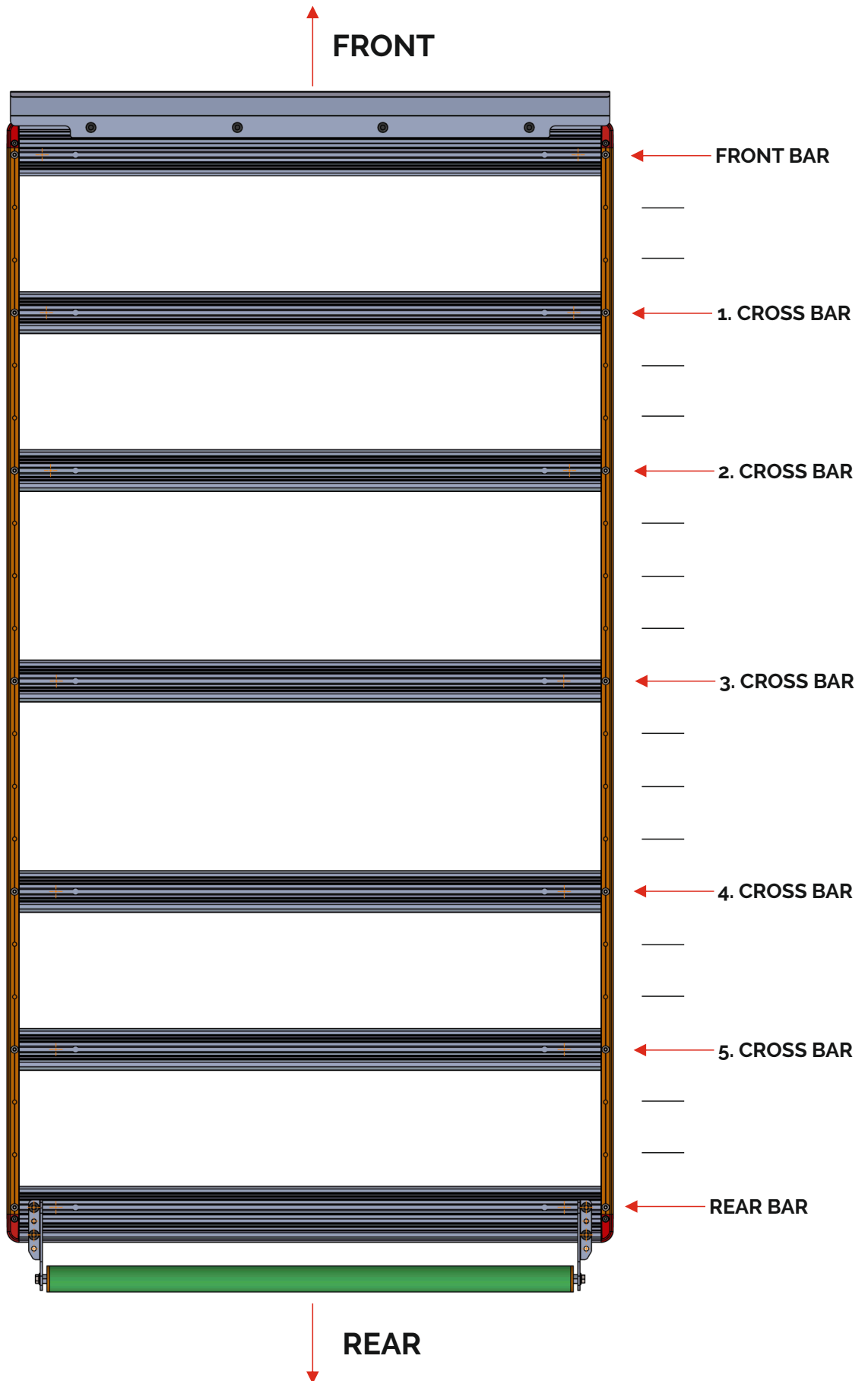
INSTALLATION INSTRUCTIONS

ATTENTION!

- Check the box before installation.
- Read the guide before installation for your safety and making complete installation.
- Make the installation according to the installation guide otherwise, our company has no responsibility for any damage.
- If you any have questions please contact our company.

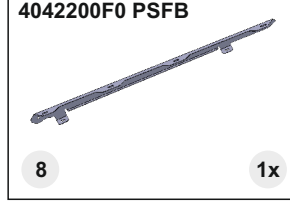
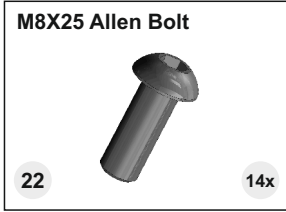
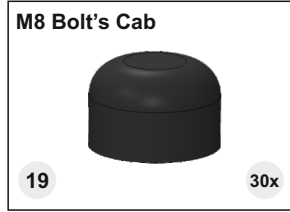
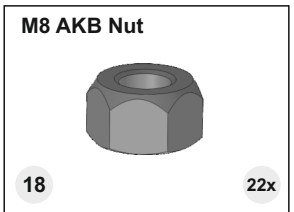
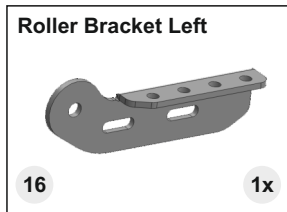
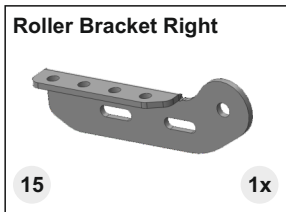
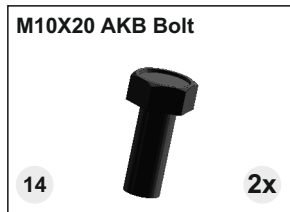
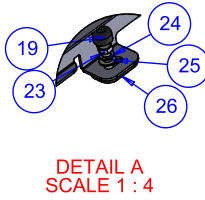
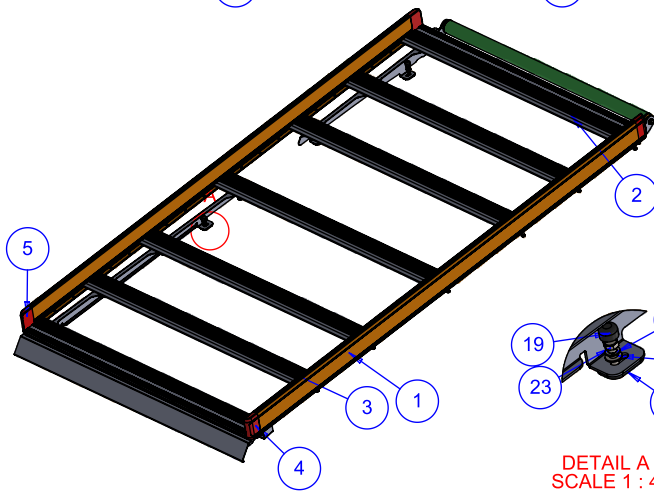
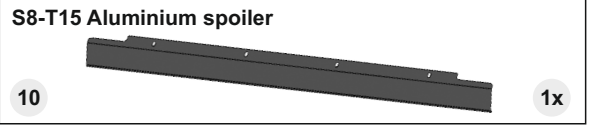
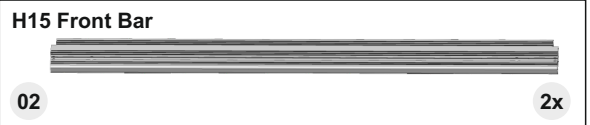
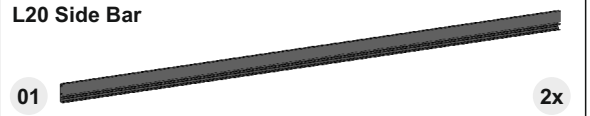
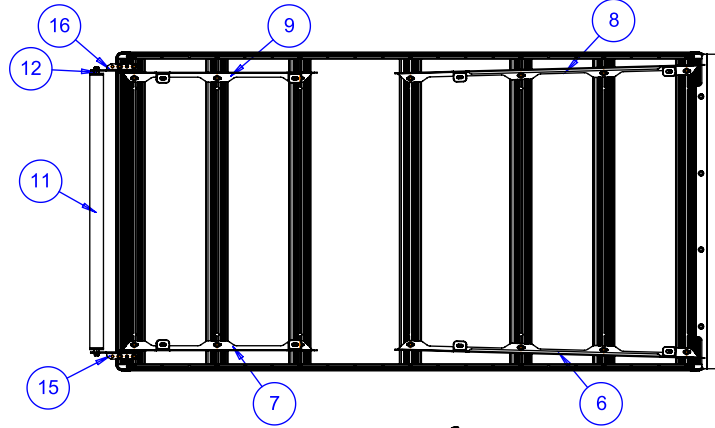
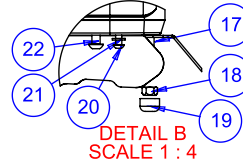
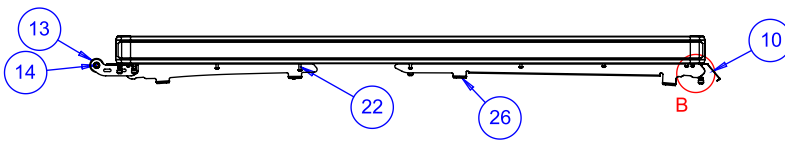
INSTALLATION OF CROSS PROFILES

WARNING: THIS PROCESS WILL BE MADE BEFORE 5TH STEP IN THE PRODUCT GUIDE.



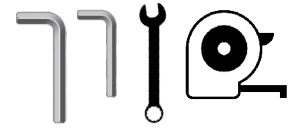
CROSS PROFILES WILL BE MOUNTED AS SHOWN ON FIGURE ABOVE.

NECESSARY MATERIALS



NECESSARY TOOLS

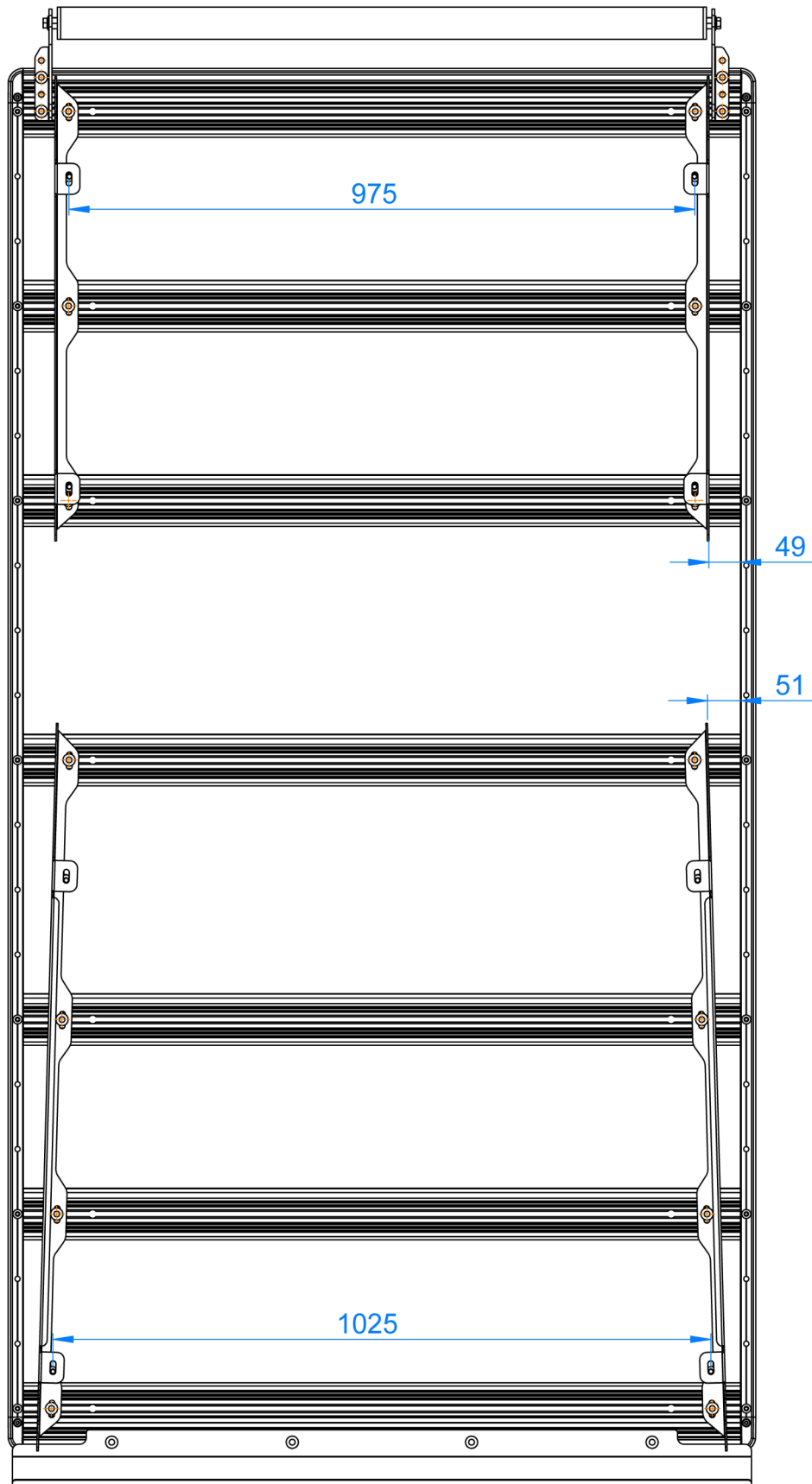
Allen Key 5 mm
Spanner 13 mm
Meter



ITEM NO.	PART NUMBER	DESCRIPTION	QTY.
1	AP1 - L20 - 2047mm	Side Bar	2
2	AP3 - H15 - 1150mm	Front Bar	2
3	AP2 - W15 - 1150mm	Cross Bar	5
4	C5-AK1--1	Cap Left	2
5	C5-AK1--2	Cap Right	2
6	4042200F0	Driver Side Front Bracket	1
7	4042200B0	Driver Side Rear Bracket	1
8	4042200F0	Passenger Side Front Bracket	1
9	4042200B0	Passenger Side Rear Bracket	1
10	S8T15	Aluminium Spoiler	1
11	Roller R01	1000mm	1
12	P9-C3 R3	M10 Nut	2
13	P9-C3 R2	Roller Plastic	2
14	M10 x 20 AKB Bolt	Stainless-Chrome	2
15	Roller Yan Aparat	Left	1
16	Roller Yan Aparat	Right	1
17	M8 x 20 AKB Bolt	Stainless-Chrome	22
18	M8 AKB Nut	Stainless-Chrome	22
19	M8 Bolt's Cab	Black-Plastic	30
20	M6 x 16 Allen Bolt	Stainless-Chrome	4
21	M6 Spring Washer	Stainless-Chrome	4
22	M8 x 25 Allen Bolt	Stainless-Chrome	14
23	M8 x 25 AKB Bolt	Stainless-Chrome	8
24	M8 Spring Washer	Stainless-Chrome	8
25	M8 Wide Washer	Stainless-Chrome	8
26	KC5124 Rubber	Rubber-Black	8
27	Sista Silicon	Silicon Package	1

INSTALLING BRACKETS TO THE ROOF RACK

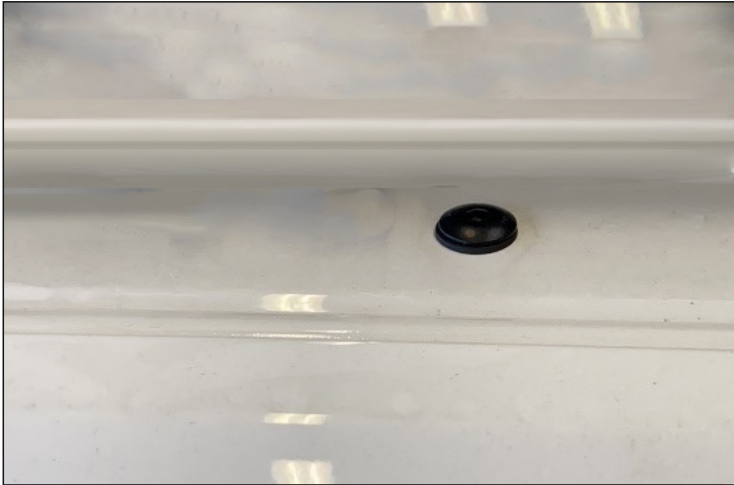
REAR



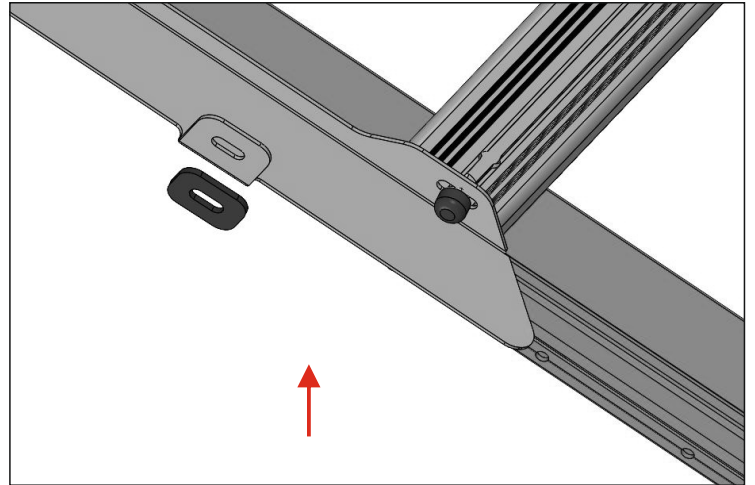
FRONT



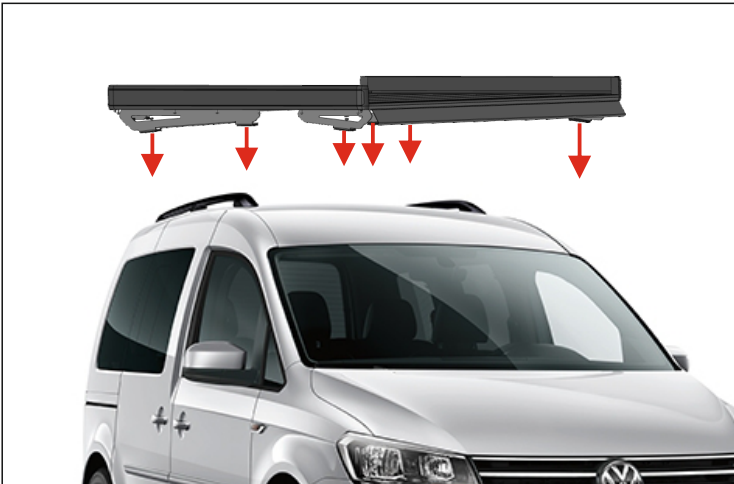
ASSEMBLY OF THE ROOF RACK ON THE VEHICLE



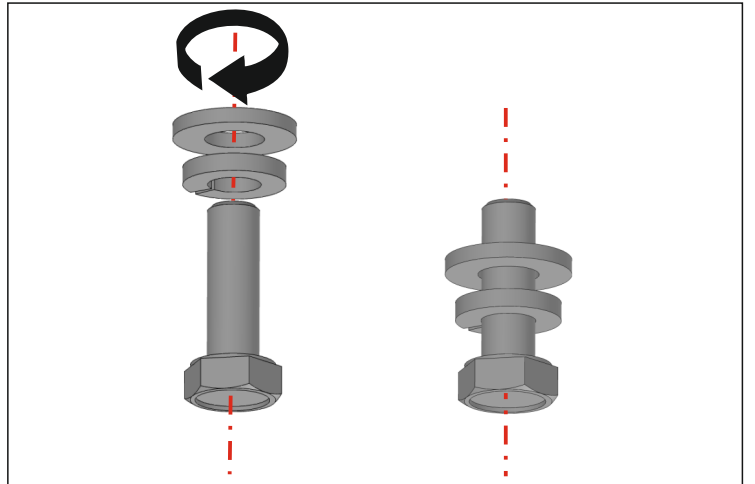
STEP-1 Remove factory rubber plugs as shown.



STEP-2 Put supplied rubber part in the bottom part of the bracket on the vehicle.

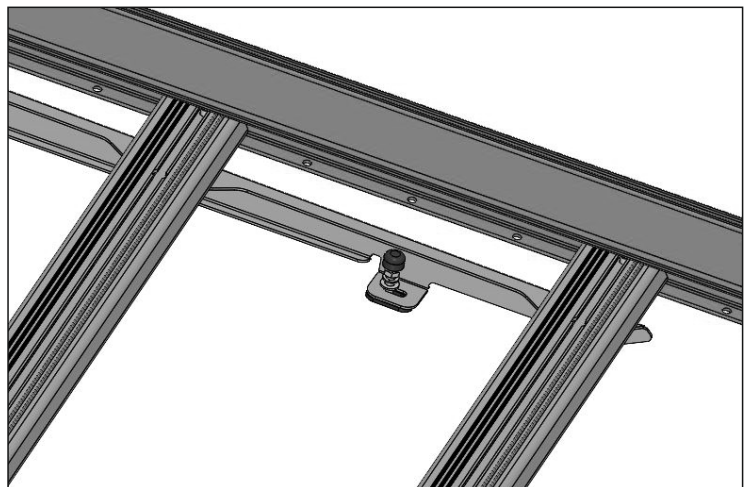


STEP-3 Match holes of the assembled roof rack to holes on the vehicle.



STEP-4 Attach spring washer first then flat washer to M8x25 hex bolts

STEP-5 Apply the silicon around the hole and pass to 6th step before it gets dry.



STEP-6 Fix the bracket with bolt to the holes on the vehicle. Repeat this process for all brackets.

CONTROL ALL INSTALLATION AND FINISH ASSEMBLY AFTER INSTALLING PLASTIC BOLT CAPS TO M8 HEX NUTS.

