



To mount this product you will need Sikaflex 252 glue, Sikaflex primer and Sikaflex cleaner (not supplied with the kit).

1. Place the side bracket on the A-pillar so that the bottom side follows the vertical line on the A-pillar and there is a 5mm gap between outer side of the bracket and the door opening as shown on the picture.

2. Mark the hole positions and drill the holes with 4,0mm bit.

3. Mark the area of the side bracket. Clean the area and the backside of the bracket with cleaner.

4. Apply the primer to the cleaned areas and let it react for 15 minutes.

5. Apply Sikaflex 252 on the backside of the side bracket and place it on the a-pillar (at least 3 wide stripes).

6. Apply Sikaflex 252 into the holes and mount the side bracket on the pillar with 4,8x19mm screws.

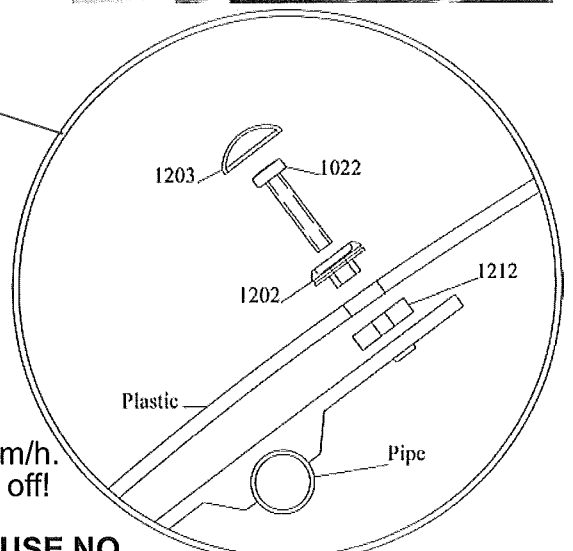
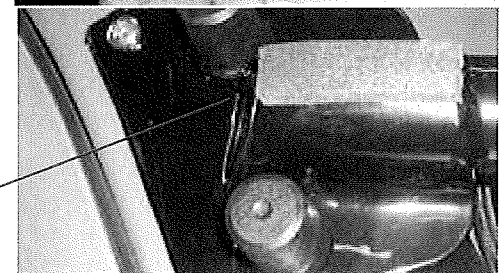
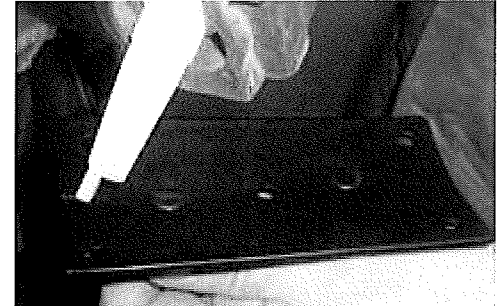
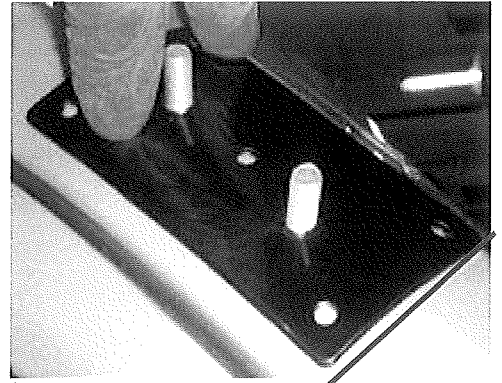
7. Seal the sides of the mounting plate with Sikaflex.

8. Mount the main bracket on the side brackets by using the 8mm spring washers and nuts.

9. Glue the foam tape on both ends of the main bracket as shown on the picture.

10. Mount the visor on the main bracket according to the drawing.

11. Mount the warning label on a place where the driver can see it. Remember to tighten all screws after few hours drive and every 6 months.



**WARNING!**

The speed limit for the vehicle with the visor mounted is 130 km/h. If you drive constantly faster than 130 km/h the visor may tear off!

**ANY NON-COMPLIANCE WITH THESE REGULATIONS CAUSE NO RESPONSIBILITY TO THE MANUFACTURER OF ANY COSTS AND DAMAGES.**

Osoite/Address  
Tehtaankatu 21  
11710 RIIHIMÄKI  
FINLAND

Puhelin/Telephone  
+ 358 19 724 000

Telefax  
+ 358 19 720 765

Pankki/Bank  
OKO 539602-254945  
Sampo 800016-70104554  
FI09001798