

# 30IRL - CS001 - ROOF RACK

**FITTING FOR:**

**MERCEDES VITO 2015+ LWB (L3)**



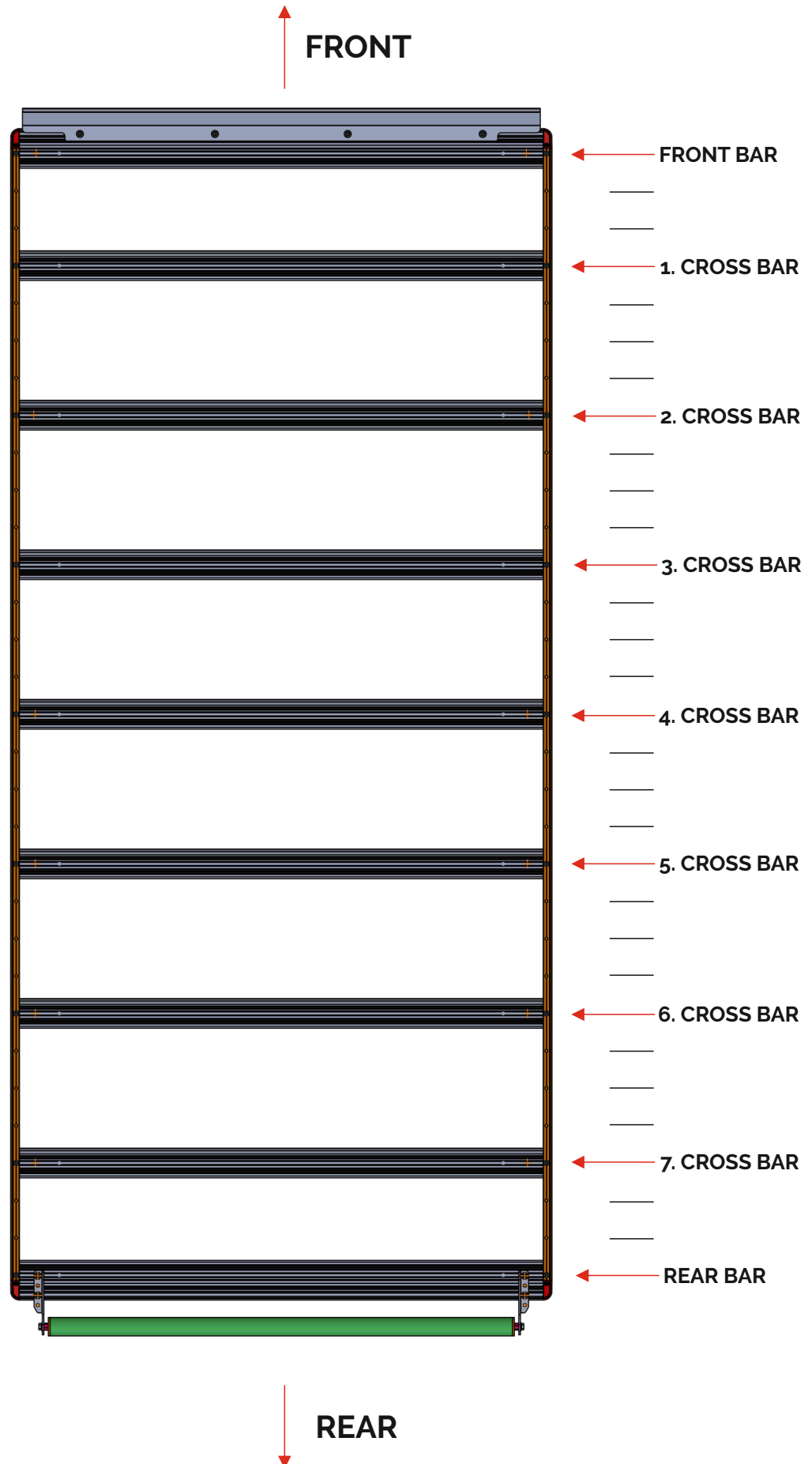
## INSTALLATION INSTRUCTIONS

### **ATTENTION!**

- Check the box before installation.
- Read the guide before installation for your safety and making complete installation.
- Make the installation according to the installation guide otherwise, our company has no responsibility for any damage.
- If you any have questions please contact our company.

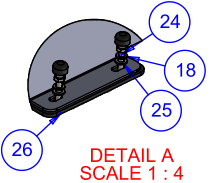
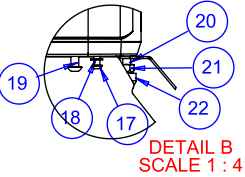
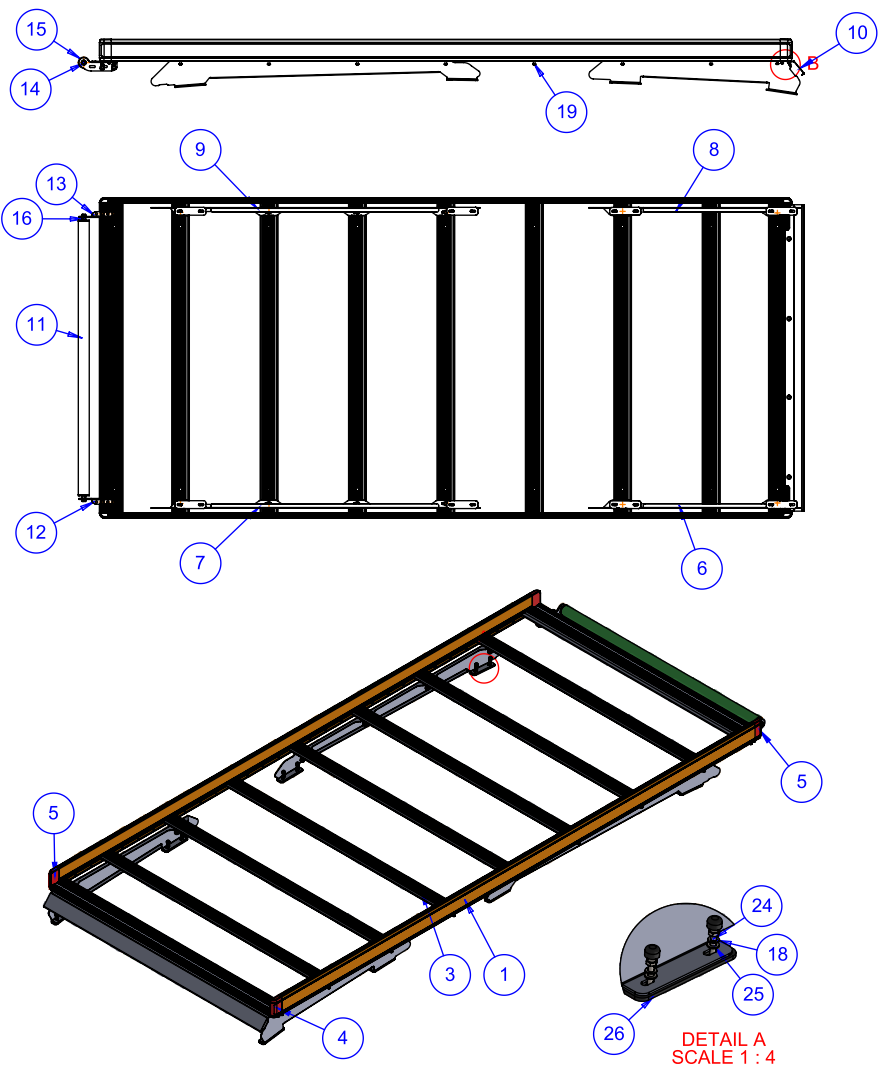
# INSTALLATION OF CROSS PROFILES

**WARNING: THIS PROCESS WILL BE MADE BEFORE 5TH STEP IN THE PRODUCT GUIDE.**




**CROSS PROFILES WILL BE MOUNTED AS SHOWN ON FIGURE ABOVE.**


# NECESSARY MATERIALS



**L30 Side Bar**

01  2x

**H45 Front Bar**

02  2x


**W54 Cross Bar**

03  7x

04  **C5-AK1--1 Cap Right** 2x

05  **C5-AK1--2 Cap Left** 2x

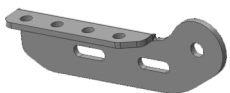
**S8-T40 Aluminium spoiler**

10  1x

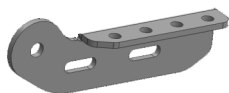
**Roller R25 1250 mm**

11  1x

**Roller Bracket Right**

12  1x

**Roller Bracket Left**

13  1x

**M10X20 AKB Bolt**

14  2x

**M6X16 Allen Bolt**

17  4x

**M6 Spring Washer**

18  20x

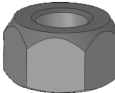
**M8X25 Allen Bolt**

19  18x


**M8X20 AKB Bolt**

20  20x


**M8 Lock Nut**

21  20x

**M8 Bolt's Cab**

22  20x

**M6 Bolt's Cab**

23  16x


**M6X25 AKB Bolt**

24  16x

**M6 Wide Washer**

25  16x

**Kc1633 Rubber**

26  8x


**3019200F0 DSFB**

6  1x

**3019200B0 DSRB**

7  1x

**3019200F0 PSFB**

8  1x

**3019200B0 PSRB**

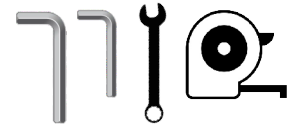
9  1x

**Sista Silicon**

27  1x

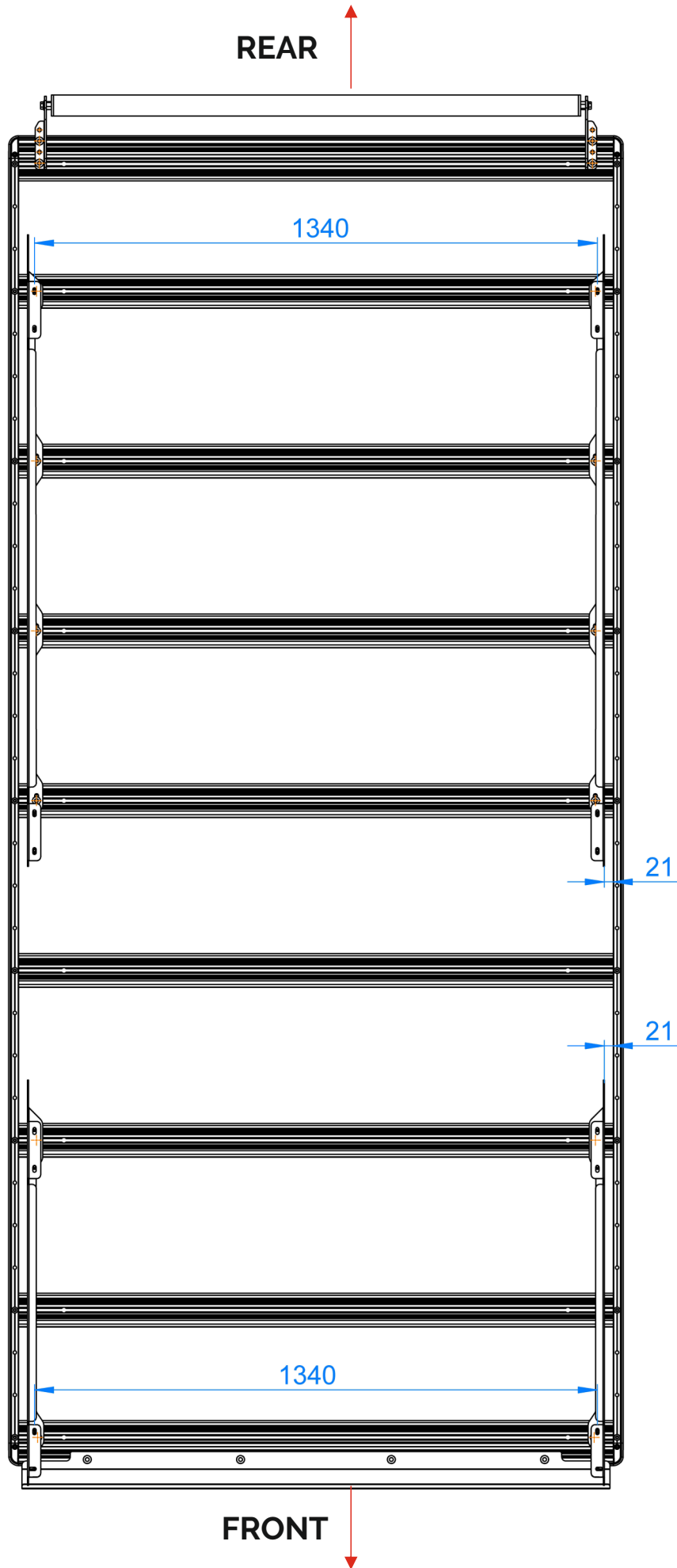
**NECESSARY TOOLS**

Allen Key 5 mm
Spanner 13 mm
Meter



ITEM NO.	PART NUMBER	DESCRIPTION	QTY.
1	AP1 - L30 - 3057mm	Side Bar	2
2	AP3 - H45 - 1450mm	Front Bar	2
3	AP2 - W45 - 1450mm	Cross Bar	7
4	C5-AK1--1	Cap Left	2
5	C5-AK1--2	Cap Right	2
6	3019200F0	Driver Side Front Bracket	1
7	3019200B0	Driver Side Rear Bracket	1
8	3019200F0	Passenger Side Front Bracket	1
9	3019200B0	Passenger Side Rear Bracket	1
10	S8T40	Aluminium Spoiler	1
11	Roller R25	1250mm	1
12	Roller Yan Aparat	Left	1
13	Roller Yan Aparat	Right	1
14	M10 x 20 AKB Bolt	Stainless-Chrome	2
15	P9-C3 R2	Roller Plastic	2
16	P9-C3 R3	M10 Nut	2
17	M6 x 16 Allen Bolt	Stainless-Chrome	4
18	M6 Spring Washer	Stainless-Chrome	20
19	M8 x 25 Allen Bolt	Stainless-Chrome	18
20	M8 x 20 AKB Bolt	Stainless-Chrome	20
21	M8 Lock Nut	Stainless-Chrome	20
22	M8 Bolt's Cab	Black-Plastic	20
23	M6 Bolt's Cab	Black-Plastic	16
24	M6 x 25 AKB Bolt	Stainless-Chrome	16
25	M6 Wide Washer	Stainless-Chrome	16
26	KC1633 Rubber	Rubber-Black	8
27	Sista Silicon	Silicon Package	1

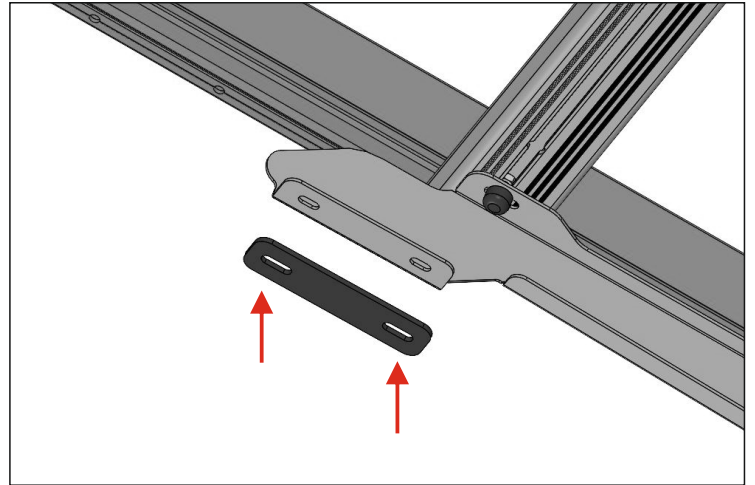
# INSTALLING BRACKETS TO THE ROOF RACK



# ASSEMBLY OF THE ROOF RACK ON THE VEHICLE



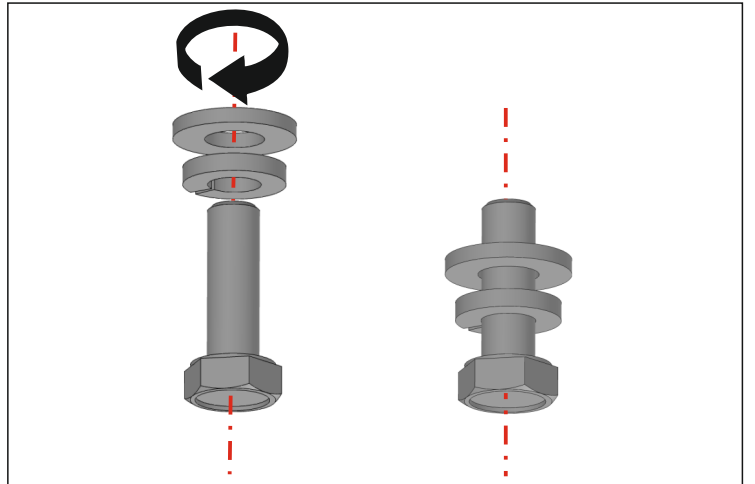
**STEP-1** Remove factory rubber plugs as shown.



**STEP-2** Put supplied rubber part in the bottom part of the bracket on the vehicle.

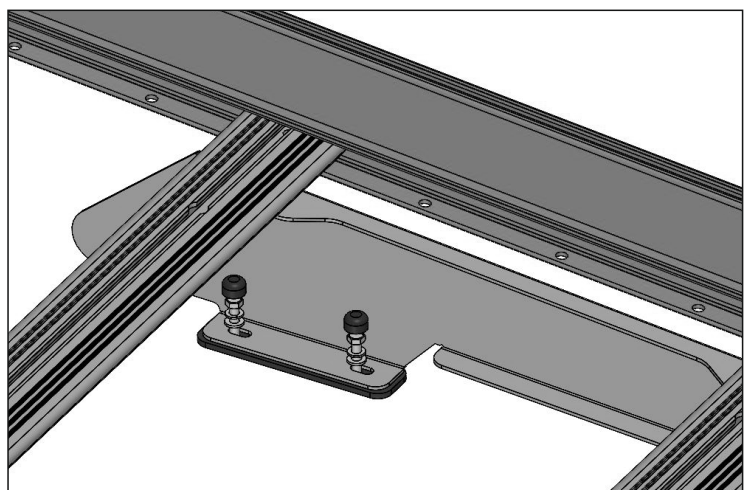


**STEP-3** Match holes of the assembled roof rack to holes on the vehicle.



**STEP-4** Attach spring washer first then flat washer to M6x25 hex bolts

**STEP-5** Apply the silicon around the hole and pass to 6th step before it gets dry.



**STEP-6** Fix the bracket with bolt to the holes on the vehicle. Repeat this process for all brackets.

**CONTROL ALL INSTALLATION AND FINISH ASSEMBLY AFTER INSTALLING PLASTIC BOLT CAPS TO HEX NUTS AND HEX BOLTS**



