

76IRL - CS001 - ROOF RACK

FITTING FOR:

FORD CUSTOM 2018+ SWB (L1)



INSTALLATION INSTRUCTIONS

ATTENTION!

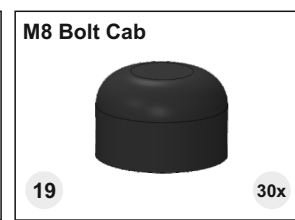
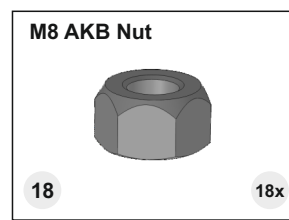
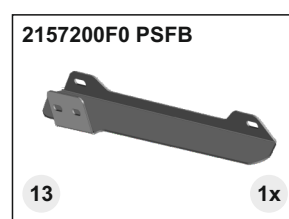
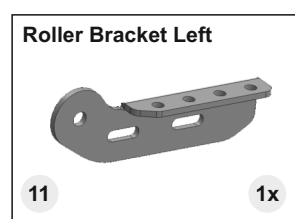
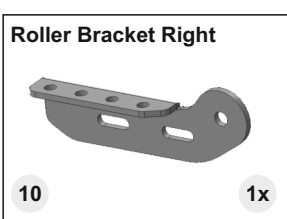
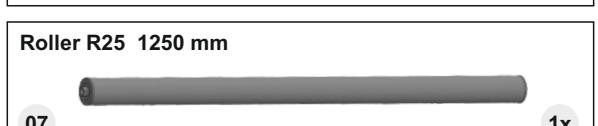
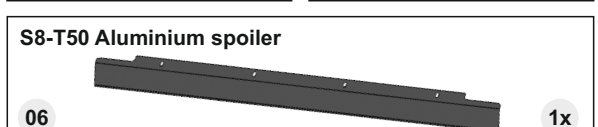
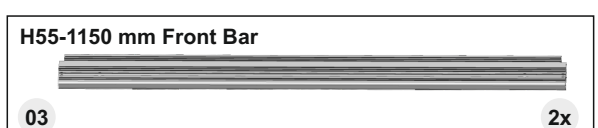
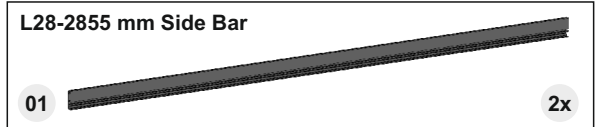
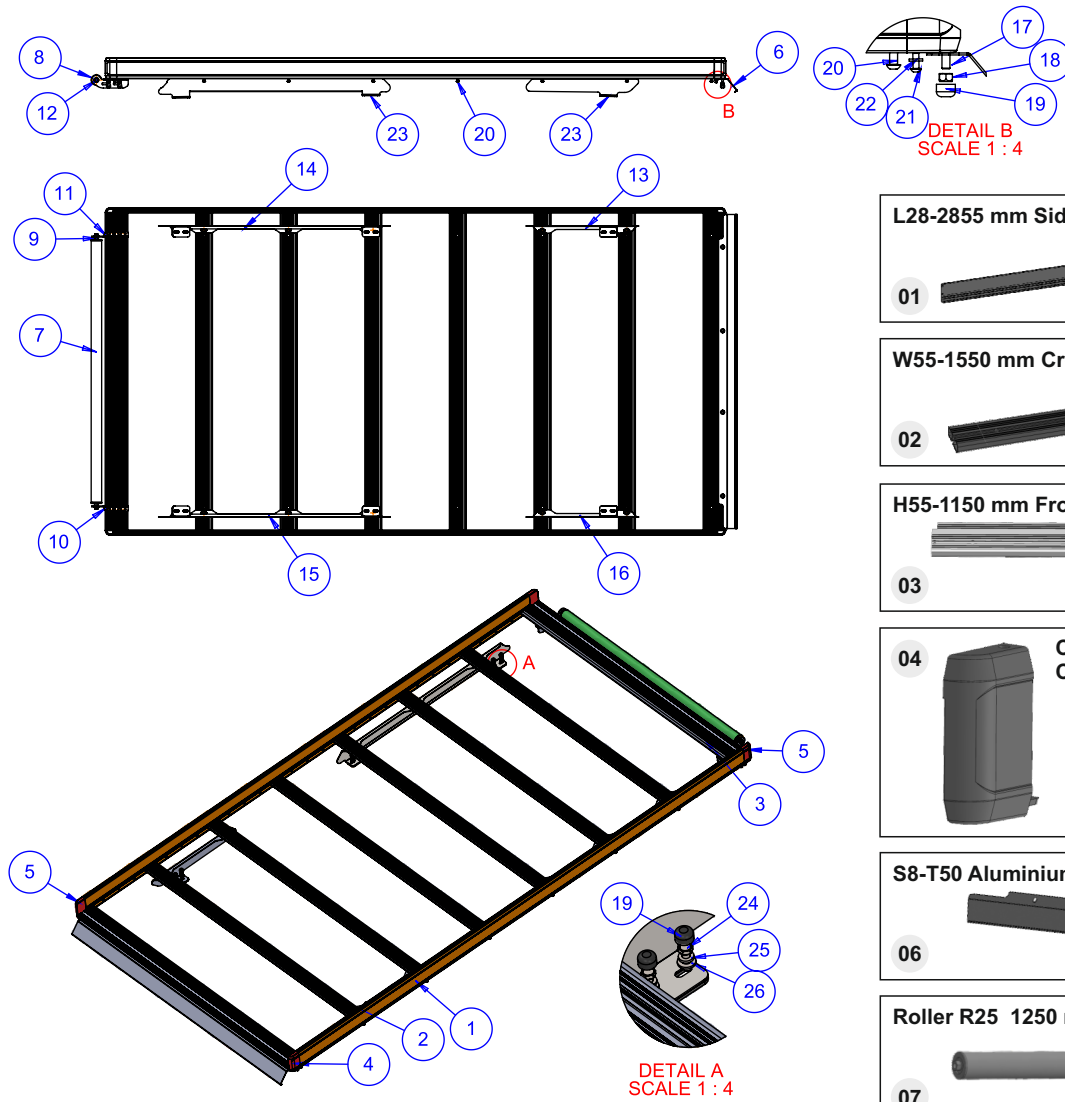
- Check the box before installation.
- Read the guide before installation for your safety and making complete installation.
- Make the installation according to the installation guide otherwise, our company has no responsibility for any damage.
- If you any have questions please contact our company.

WARNING: THIS PROCESS WILL BE MADE BEFORE 5TH STEP IN THE PRODUCT GUIDE.



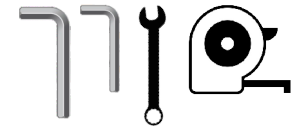
CROSS PROFILES WILL BE MOUNTED TO 4TH HOLE AFTER EVERY 3 HOLES AS SHOWN ON FIGURE ABOVE.

NECESSARY MATERIALS



NECESSARY TOOLS

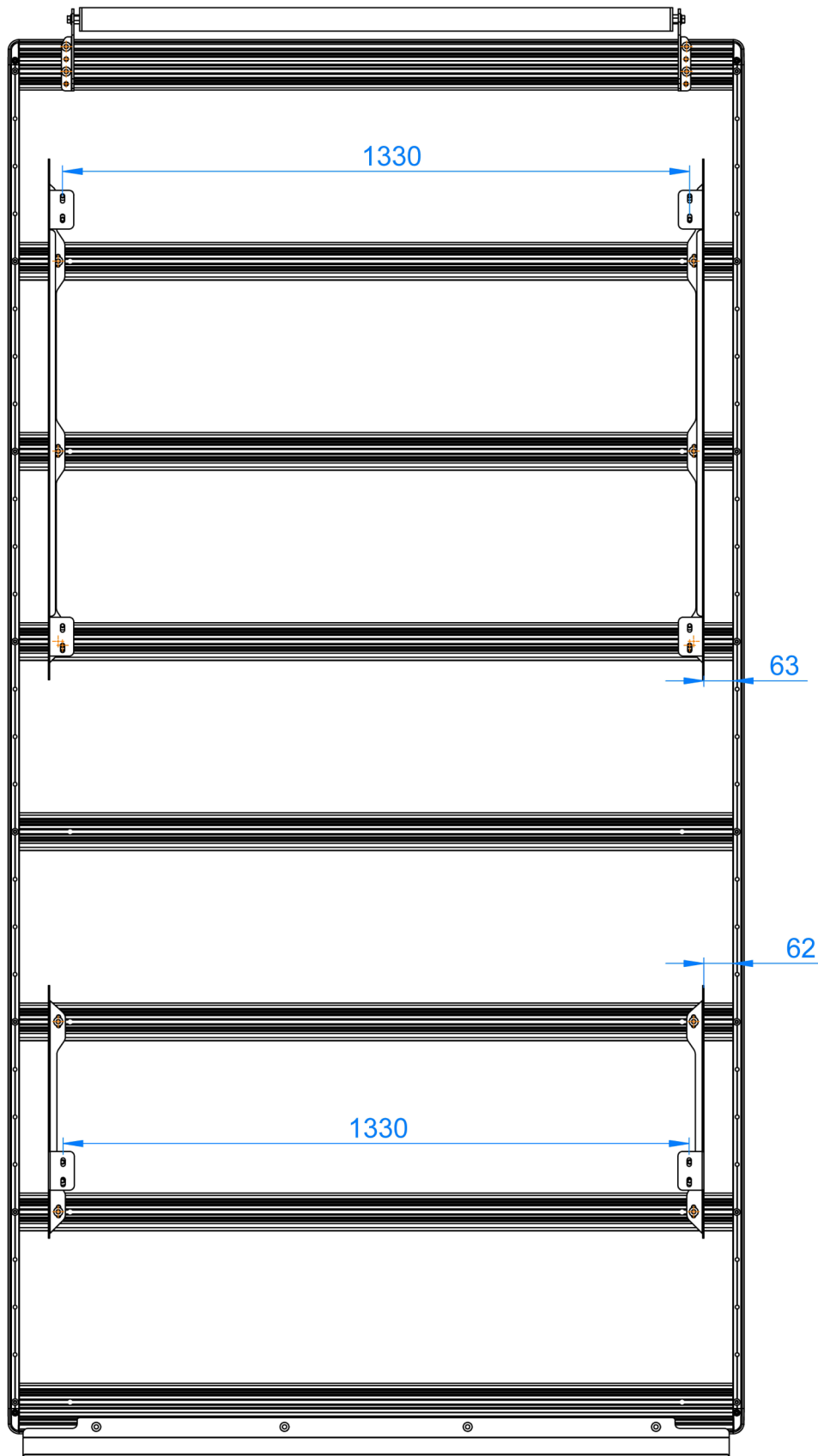
Allen Key 5 mm
Spanner 13 mm
Meter



ITEM NO.	PART NUMBER	DESCRIPTION	QTY.
1	L28 - 2855 mm	Side Bar	2
2	W55 - 1550 mm	Cross Bar	6
3	H55 - 1150mm	Front Bar	2
4	C5-AK1--1	Cap Left	2
5	C5-AK--2	Cap Right	2
6	S8T50	Aluminium Spoiler	1
7	Roller R25	1250 mm	1
8	P9-C3 R2	Roller Plastic	2
9	P9-C3 R3	M10 Nut	2
10	Roller Yan Aparat	Left	1
11	Roller Yan Aparat	Right	1
12	M10 x 20 AKB Bolt	Stainless-Chrome	2
13	2157200F0	Passenger Side Front Bracket	1
14	2157200B0	Passenger Side Rear Bracket	1
15	2157200B0	Driver Side Rear Bracket	1
16	2157200F0	Driver Side Front Bracket	1
17	M8 x 20 AKB Bolt	Stainless-Chrome	18
18	M8 AKB Nut	Stainless-Chrome	18
19	M8 Bolt's Cab	Black-Plastic	30
20	M8 x 25 Allen Bolt	Stainless-Chrome	16
21	M6 x 16 Allen Bolt	Stainless-Chrome	4
22	M6 Spring Washer	Stainless-Chrome	4
23	KC2157 Rubber	Rubber-Black	6
24	M8 x 25 AKB Bolt	Stainless-Chrome	12
25	M8 Spring Washer	Stainless-Chrome	12
26	M8 Wide Washer	Stainless-Chrome	12
27	Sista Silicon	Silicon Package	1

INSTALLING BRACKETS TO THE ROOF RACK

REAR ↑

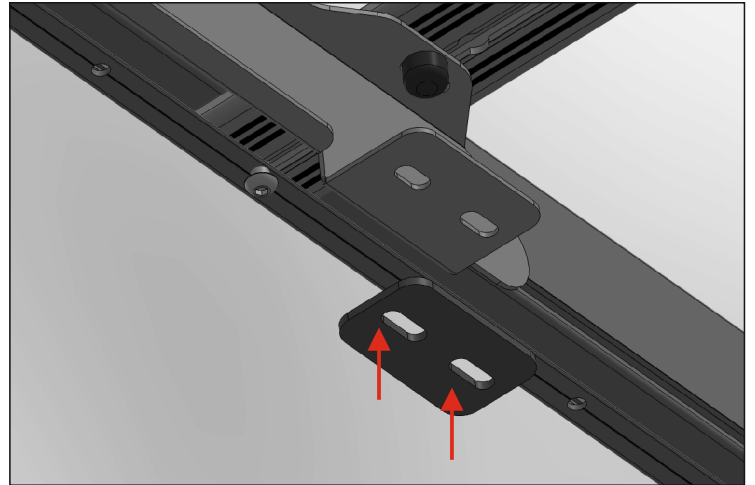


FRONT ↓

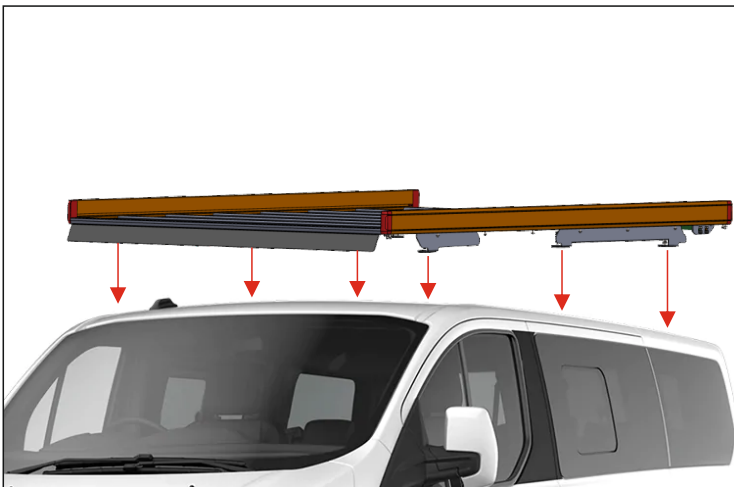
ASSEMBLY OF THE ROOF RACK ON THE VEHICLE



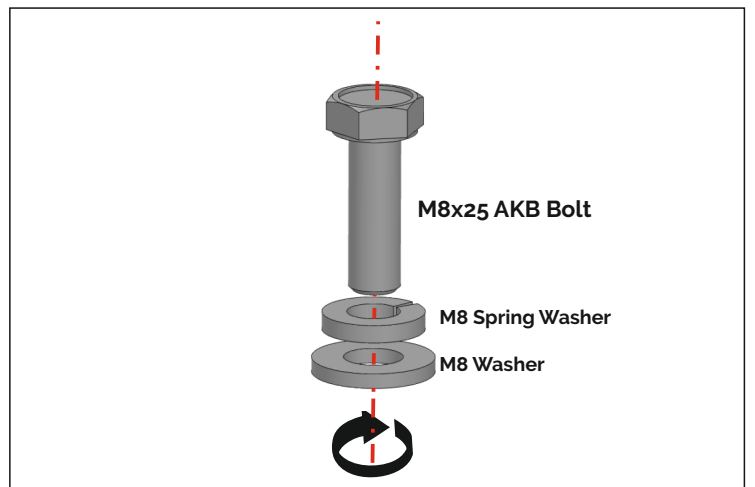
STEP-1 Remove factory rubber plugs as shown.



STEP-2 Put supplied rubber part in the bottom part of the bracket on the vehicle.



STEP-3 Match holes of the assembled roof rack to holes on the vehicle.



STEP-4 Attach spring washer first then flat washer to M8x25 hex bolts

STEP-5 Apply the silicon around the hole and pass to 6th step before it gets dry.



STEP-6 Fix the bracket with bolt to the holes on the vehicle. Repeat this process for all brackets.

CONTROL ALL INSTALLATION AND FINISH ASSEMBLY AFTER INSTALLING PLASTIC BOLT CAPS TO M8 HEX NUTS.

