



FITTING INSTRUCTIONS

ARB Part No	Description
10900021	FRIDGE SLIDE SUIT ARB 35L AND 47L FRIDGE FREEZERS
10900022	FRIDGE SLIDE SUIT ARB 60L AND 78L FRIDGE FREEZERS
10900029	EXTENDED FRIDGE SLIDE SUIT ARB 35L AND 47L FRIDGE FREEZERS
10900040	FRIDGE SLIDE SUIT ARB ELEMENTS 60L WEATHERPROOF FRIDGE FREEZER

PLEASE TAKE NOTE OF THE FOLLOWING:

- ◆ This product must be installed exactly as per these instructions.
- ◆ In the event of damage to any component, contact your nearest authorised ARB stockist. Repairs or modifications to this product must not be attempted.
- ◆ This product must not be modified in any way.
- ◆ The installation of this product may require the use of specialized tools and/or techniques.
- ◆ It is recommended that this product is only installed by trained personnel.
- ◆ These instructions are correct as at the publication date. ARB Corporation Ltd. cannot be held responsible for the impact of any changes subsequently made by the vehicle manufacturer.
- ◆ During installation, it is the duty of the installer to check correct operation/clearances of all components.
- ◆ Work safely at all times.
- ◆ Unless otherwise instructed, tighten fasteners to specified torque.

GENERAL CARE AND MAINTENANCE

By choosing an ARB Fridge Slide, you have bought a product that is one of the most sought after 4WD products in the world. Your fridge slide is a properly engineered, reliable, quality accessory that represents excellent value. To keep your fridge slide in original condition it is important to care and maintain it following these recommendations:

- ◆ Keep the running surfaces of the fridge slide free from abrasive materials like sand, dirt and grit. Wipe the running surfaces clean on a routine basis to avoid causing pitting of the E-coat surface or the bearings.
- ◆ As part of any Pre Trip Preparation, or on an annual basis, it is recommended that a thorough visual inspection of the fridge slide is carried out, making sure that all bolts and other components are torqued to the correct specification. Also check that all fittings are free of damage. Replace any components as necessary. This service can be performed by your local authorized ARB Stockist.

ARB 4x4 ACCESSORIES

Corporate Head Office

42-44 Garden St
Kilsyth, Victoria
AUSTRALIA 3137

Tel: +61 (3) 9761 6622
Fax: +61 (3) 9761 6807

Australian enquiries
North & South American enquiries
Other international enquiries

sales@arb.com.au
sales@arbusa.com
exports@arb.com.au

www.arb.com.au



1.0 FITTING REQUIREMENTS

REQUIRED TOOLS FOR FITMENT OF PRODUCT:

13mm RING SPANNER	5mm HEX KEY
8mm RING SPANNER	8.5mm DRILL BIT
ELECTRIC DRILL	

NOTE: Mounting hardware is not supplied with this fridge slide.

HAVE AVAILABLE THESE SAFETY ITEMS WHEN FITTING PRODUCT:

Protective eyewear		Hearing protection	
--------------------	---	--------------------	---

NOTE: 'WARNING' notes in the fitting procedure relate to OHS situations, where to avoid a potentially hazardous situation it is suggested that protective safety gear be worn or a safe work procedure be employed. If these notes and warnings are not heeded, injury may result.

FASTENER TORQUE SETTINGS:

SIZE	Torque Nm	Torque lbft
M5	6Nm	4.5lbft
M6	9Nm	7lbft
M8	22Nm	16lbft

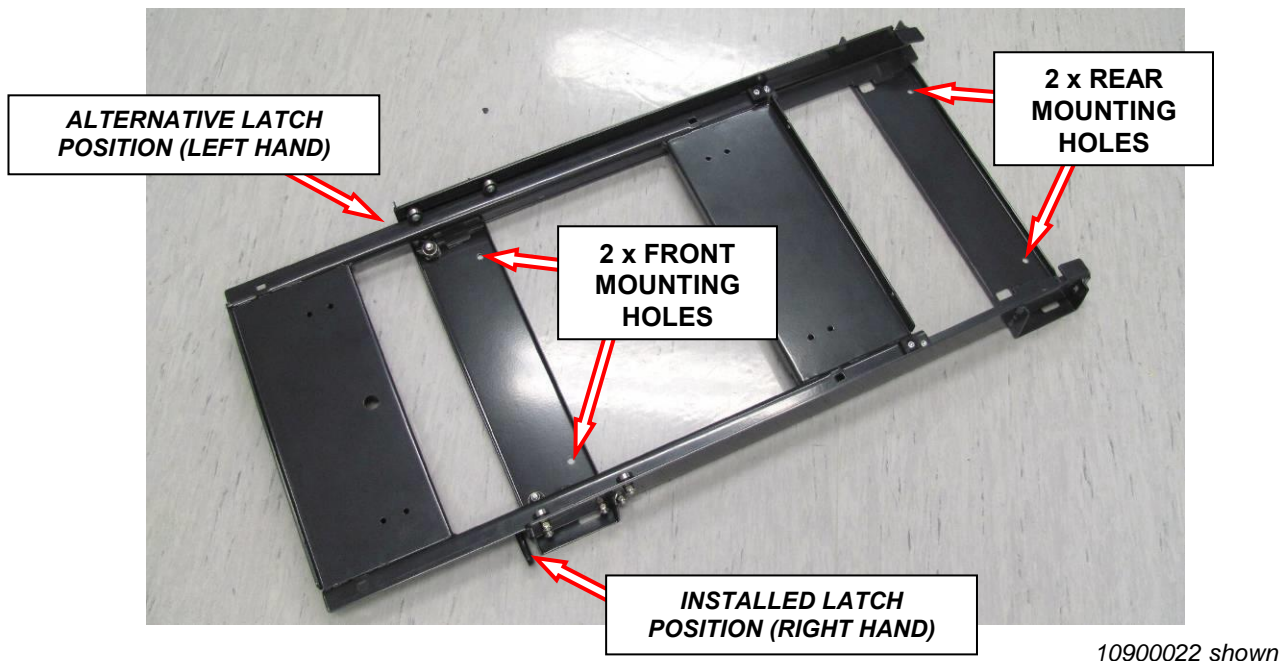
THE FOLLOWING ACCESSORIES ARE AVAILABLE FOR 10900029

PARTS LISTING – 10900031 BATTERY CLAMP KIT SUIT 10900029		
PART NUMBER	QTY	DESCRIPTION
6582415	1	BATTERY CLAMP
6151117	2	M8 X 190mm L BOLT
6151032	2	NUT NYLOC M8 x 1.25
4581044	2	WASHER FLAT M8

THE FOLLOWING FASTENERS ARE PROVIDED WITH 10900040

PARTS LISTING – 10900040 60L ELEMENTS LOCACTOR KIT		
PART NUMBER	QTY	DESCRIPTION
3194979	4	LOCATOR PLATE
6151354	8	NUT HEX M5 x 0.8 NYLOC
6151461	8	BOLT COACH M5 x 15
4584338	8	WASHER FLAT M5 x 12 x 1

2.0 MOUNTING THE FRIDGE SLIDE



NOTE: The latch can be installed onto either the right hand or left hand side of the fridge slide. The photo above shows that latch installed in the right hand position.

The fridge slide has 4 holes cut into the base frame for mounting it to a solid surface. When selecting a location to mount your fridge slide, please take note of the following points:

- The mounting surface must be strong enough to support a fully loaded fridge with the fridge slide at full extension.
- Use M8 high tensile fasteners to attach the fridge slide to the mounting surface.
- Use all 4 mounting holes.
- For best results, the mounting surface should be flat to avoid introducing twist into the fridge slide assembly.
- When mounting to thin or brittle material (eg sheet metal or particle board), use large washers to distribute the load over a large surface area.
- The mounting location should allow 50mm of ventilation on all sides of the fridge.
- Test the fridge slide in location before drilling holes to make sure that full extension/retraction can be achieved
- To ensure accurate location of the fridge slide, use the holes in the base frame as a drilling template.
- Before drilling holes, check on the underside of the mounting surface to ensure that the drill bit and/or mounting hardware will not damage vehicle components like fuel lines, brake lines or fuel tank.

NOTE: Mounting hardware is not supplied with the fridge slide.

WARNING: Wear eye and ear protection when drilling.



3.0 MOUNTING THE FRIDGE FREEZER TO THE FRIDGE SLIDE



For ARB Fridge Freezer
use tiedown system
P/N 10900010



For ARB Elements
Fridge Freezer
use tiedown system
P/N 10900038

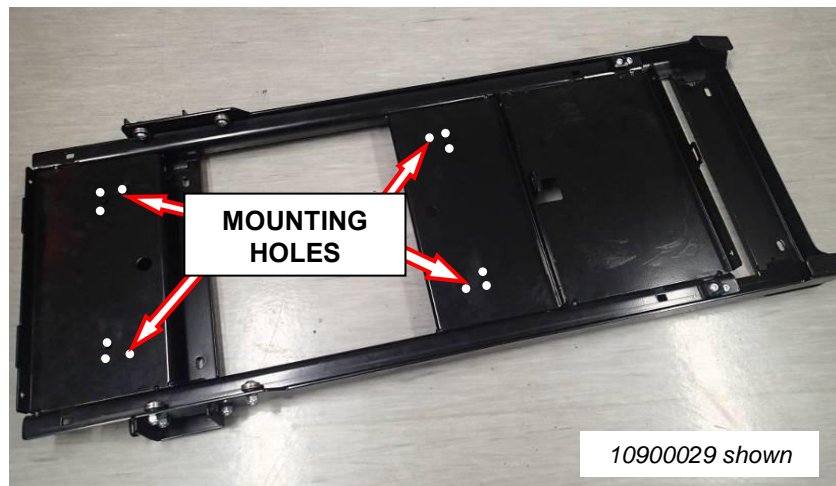
Temporary Mounting

ARB recommends mounting the fridge freezer to the fridge slide using the *appropriate ARB Fridge Freezer Tiedown System* as listed above.

4 holes are provided in the fridge slide to suit the M8 fasteners that are supplied with the tiedown kit.

Permanent Mounting

Holes are provided in the fridge slide tray to permanently mount your ARB Fridge Freezer to the fridge slide.



NOTE: ARB only recommends this method of attachment if the fridge freezer will be **PERMANENTLY** mounted to the fridge slide.

To fasten the fridge freezer to the fridge tray:

1. Remove the M6 bolt that fastens each of the 4 rubber feet to the base of the fridge.
2. Position the fridge on the fridge slide and align the feet with the holes in the tray. Make sure that the rubber feet are correctly located between the fridge and the tray.
3. Fasten the fridge to the tray using the original M6 bolts making sure that these bolts are not over tightened. ARB recommends using a non permanent thread sealant on these bolts.

For further information about permanently mounting your fridge freezer to the fridge slide refer to your *Fridge Freezer Operating and Service Guide*.

4.0 60L ELEMENTS LOCATOR KIT



For 10900040 half circle locating plates are provided to help maintain position of the elements fridge

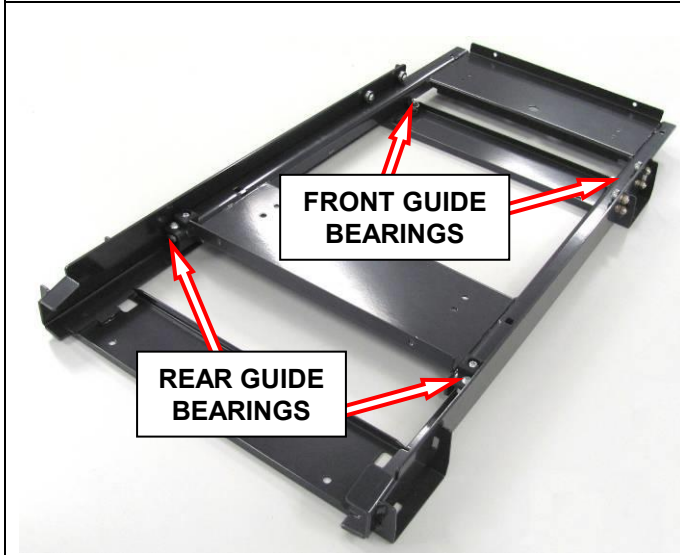


1. Position locator plate over mounting holes as shown



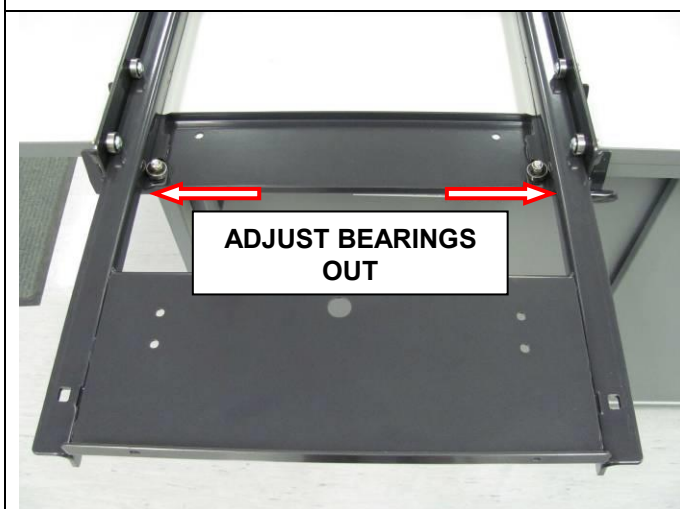
2. Place M5 coach bolt through both holes ensuring flats are aligned . Fasten with M5 Nyloc nut and washer beneath tray
3. Repeat process with remaining 3 locator plates

5.0 ADJUSTING THE GUIDE BEARINGS



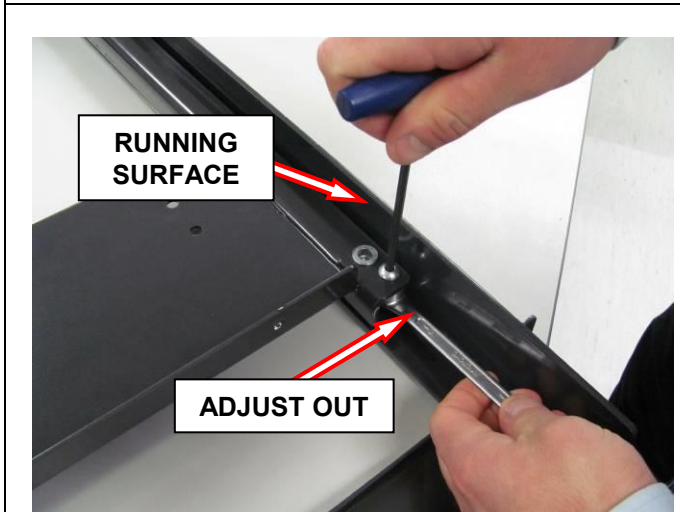
There are 2 pairs of adjustable guide bearings that ensure smooth operation of the fridge slide.

There is one set fastened to the front of the frame and a second set fastened to the rear of the tray.



To adjust the front pair of bearings:

1. Loosen both bolts.
2. Position the fridge tray in the centre of the frame.
3. Slide both bearings towards the outside of the fridge slide until they contact the running surface of the tray.
4. Tighten the M8 bolt to the recommended assembly torque.

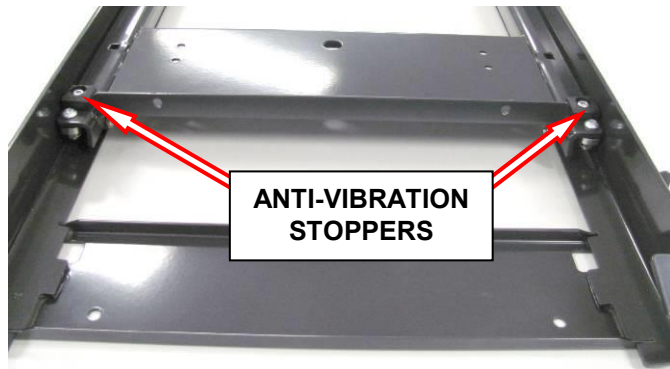


To adjust the rear pair of bearings:

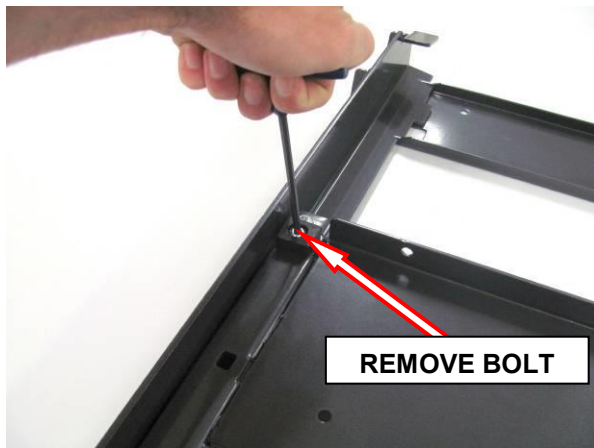
1. Follow the same procedure as describe above for the front bearings but slide the bearings towards the outside of the frame.

Once adjusted, there should be an even gap between the fridge slide tray and both sides of the frame. There should also be no sideways movement in the tray.

6.0 ADJUSTING THE ANTI-VIBRATION STOPPERS



The fridge slide is fitted with 2 anti-vibration stoppers. Each stopper has 4 different height settings.



To adjust the stopper:

1. Remove the M8 bolt from the centre of the stopper using a 5mm hex key.
2. Rotate the stopper until the desired height is achieved.
3. Reattach the stopper using the original M8 bolt. Only lightly tighten this bolt to prevent damaging the stopper.
4. Test adjustment of the stoppers by sliding the tray in and out. If necessary, readjust the stoppers to achieve the desired operation.



7.0 REPOSITIONING THE LATCH

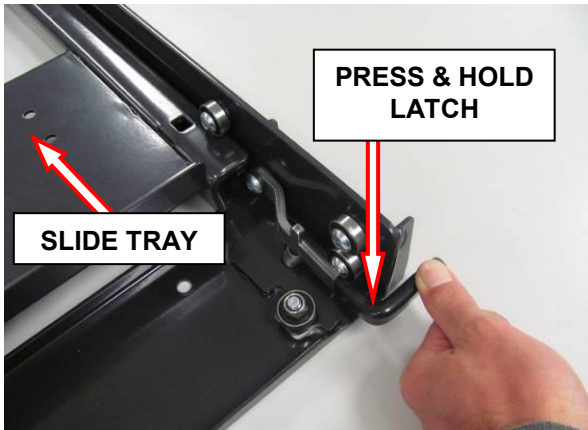
The release latch can be fitted to either the right hand or left hand side of the fridge slide.



LEFT HAND POSITION



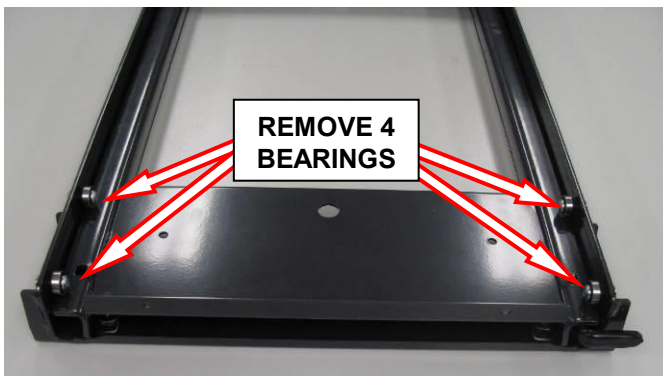
RIGHT HAND POSITION



For 60/78L fridge slide (p/n10900022/40)

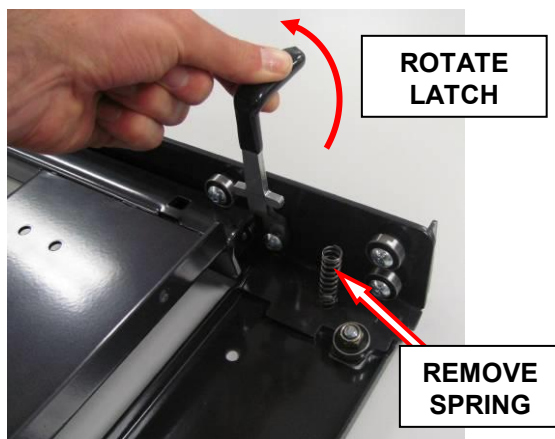
1. Remove both anti-vibration stoppers.
2. Loosen the rear horizontal guide bearings.
3. Press down on the latch to release the tray.
4. Slide the tray backwards to expose the latch and spring assembly.

Proceed to step 9



For 35/47L fridge slide (p/n 10900021/29)

5. Loosen the rear horizontal guide bearings.
6. Remove the 4 bearings identified in the photo. *Retain the rollers, bolts, washers and nuts.*
7. Press down of the latch to release the tray.
8. Lift and remove the tray from the frame to expose the latch and spring assembly.

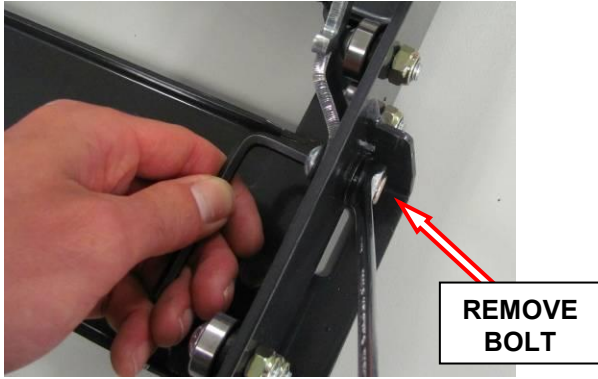


9. Gently release the latch allowing it to rotate into a vertical position as shown.

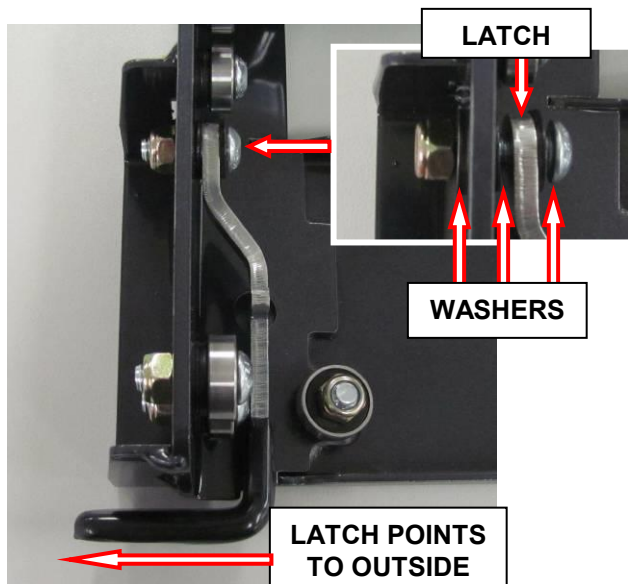
CAUTION: Take care when releasing the latch to ensure that the spring does not self eject.

10. Remove the spring

REPOSITIONING THE LATCH Continued



11. Remove the latch by removing the M8 x 25mm bolt, nut and washers using a 13mm ring spanner and 5.0mm hex key as shown.



12. Rotate the latch and install it into the corresponding hole on the opposite side of the fridge slide frame. The plastic dipped handle should now be pointing towards the outside of the fridge slide as shown.

13. Using the original M8 bolt, washers and lock nut, attach the latch to the fridge slide frame. Refer to photos for the correct assembly order of bolts, latch and washers.

14. Tighten the bolt to remove all sideways movement from the latch while ensuring that the latch can rotate freely in the vertical direction.



15. With the latch in the vertical position, install the spring into the hole as shown.

16. Lower the latch onto the spring making sure that the free end of the spring locates on the boss of the latch.

17. With the latch fully depressed, slide the tray back into position.

18. Test operation of the latch by sliding the tray in and out. If necessary, adjust the tightness of the M8 bolt to achieve the desired latch operation.



19. For 35/47L fridge slide, refit the 4 rollers removed in step 6. Tighten bolts to the recommended torque.

20. For 60/78L fridge slide, refit anti-vibration stops.

For both fridge slides:

21. Adjust the rear guide bearings. Refer to section 4.0.

22. Adjust the anti-vibration stoppers. Refer to section 5.0