

ARB BASE RACK

FITTING INSTRUCTION

Part Number: 1780220 & 1780230

Product Description: BASE RACK T-Slot adapter (Single & Pair)

WARNING

- ◆ T-slot adapters are not suitable for mounting awnings, contact ARB for further information
- ◆ The ARB BASE RACK system has a maximum capacity of 25kg per cross slat. Exceeding this limit may result in damage or failure
- ◆ This product must be installed exactly as per these instructions using only the hardware supplied
- ◆ Do not use this product for any product, other than those specified by ARB
- ◆ This product or its fixing must not be modified in any way
- ◆ These instructions are correct as at the publication date
- ◆ During installation, it is the duty of the installer to check correct operation/clearances of all components
- ◆ Work safely at all times
- ◆ Unless otherwise instructed, tighten fasteners to specified torque
- ◆ Fastener torques are to be checked at regular intervals

ARB 4x4 ACCESSORIES

Corporate Head Office

www.arb.com.au

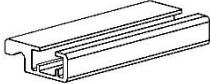

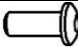
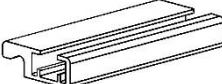
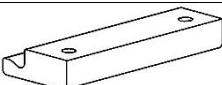
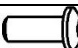
42-44 Garden St
Kilsyth, Victoria
AUSTRALIA 3137

Tel: +61 (3) 9761 6622
Fax: +61 (3) 9761 6807

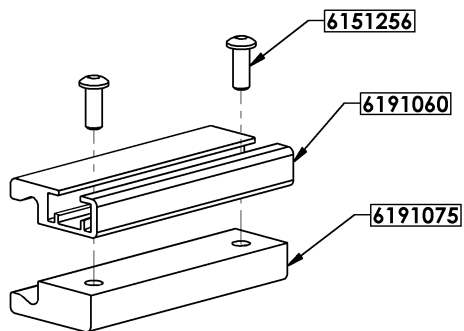
Australian enquiries
North & South American enquiries
Other international enquiries

sales@arb.com.au
sales@arbusa.com
exports@arb.com.au

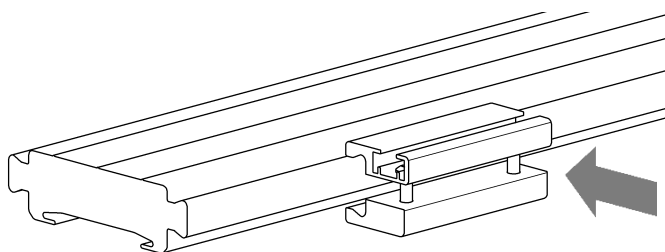
PARTS LISTING

KIT NUMBER	APPLICATION.	PART NO.	QTY	DESCRIPTION
1780220		6191060	1	EXTRUSION T-SLOT ADAPTER 100MM
		6191075	1	EXTRUSION BASE ADAPTER M6
		6151256	2	SCREW BHD M6x16 SS
1780230		6191060	2	EXTRUSION T-SLOT ADAPTER 100MM
		6191075	2	EXTRUSION BASE ADAPTER M6
		6151256	4	SCREW BHD M6x16 SS

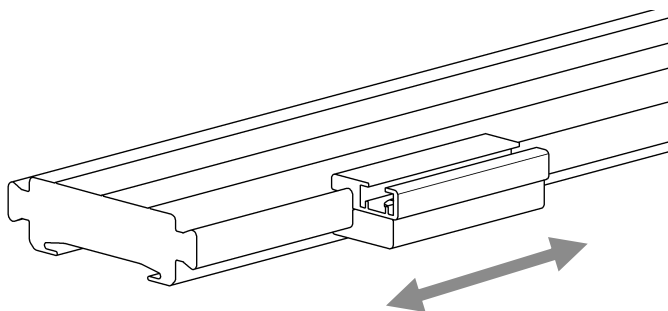
FITTING PROCEDURE



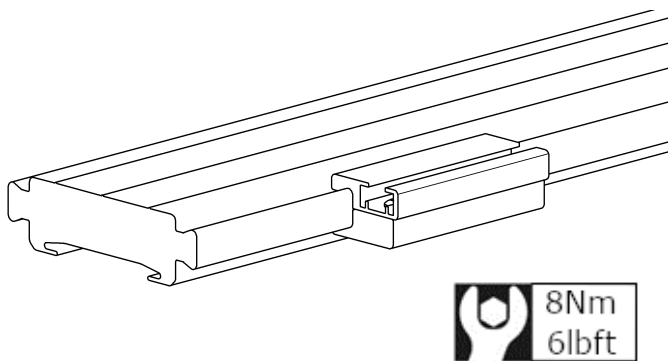
1. Assemble as shown



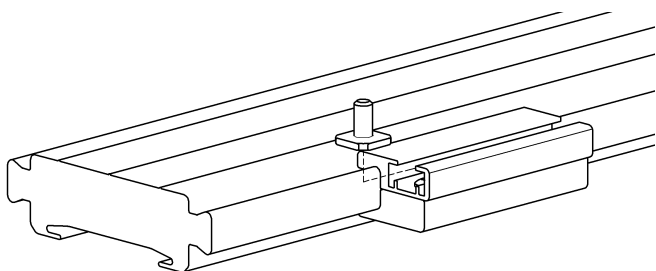
2. Loosen the M6 screws and slide over the BASE RACK dovetail



3. Slide to desired location



4. Tighten screws to specified torque



5. Install accessory as per manufacture's instruction

Note: T-bolt shown for illustration purpose only