

# **ARB** **TOURING**



## **Rooftop Tent Owners Manual**

**Congratulations on purchasing your  
ARB TOURING ROOFTOP TENT - the quick and easy way to enjoy camping.**

Included in this leaflet is all the information that you require to obtain the maximum enjoyment and benefit from your rooftop tent. Given proper care your rooftop tent will give you many years of trouble free camping.

# INDEX

- 1. Attaching the mounting rails to the base of the ARB Rooftop Tent**
  - 1.1. Will the Rooftop Tent be positioned to open to the rear or to the side of the vehicle?
  - 1.2. Attaching the mounting rails.
  
- 2. Fitting the ARB Rooftop Tent to your Roof Rack or Roof Bars.**
  
- 3. Rooftop Tent Setup Instructions.**
  
- 4. Rooftop Tent Annexe Setup Instructions.**
  
- 5. Ladder Extension Accessory**
  
- 6. Storage and Handling Guidelines**
  
- 7. Warranty Instructions**

# 1. Attaching the Mounting Rails to the ARB Rooftop Tent

## 1.1. Direction of Opening

Before you fit your new rooftop tent to your vehicle, you will need to decide whether you wish to have the rooftop tent open "off the back" or "off the side" of your vehicle.

### "Off the Back"

For most larger size vehicles opening "off the back" is preferable. The advantages of this orientation are:

- leaves extra roof space for additional storage.
- with the tent open you will gain weather protection from the tent above your head when accessing the back of your vehicle.

Caution: Some vehicles have tailgates which lift well above their roofline. Opening "off the back" is not suitable for these vehicles as the tent base may restrict the full range of movement of the tailgate.

To mount the rooftop tent to open off the back, the mounting extrusions need to be cut off at both ends up to the second pre-drilled hole, prior to being fitted to the base of the rooftop tent. See Diagram 1.

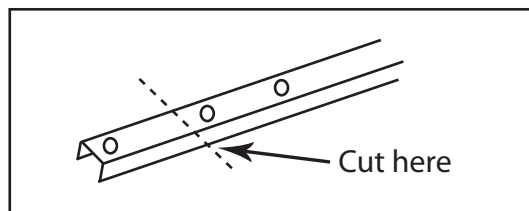
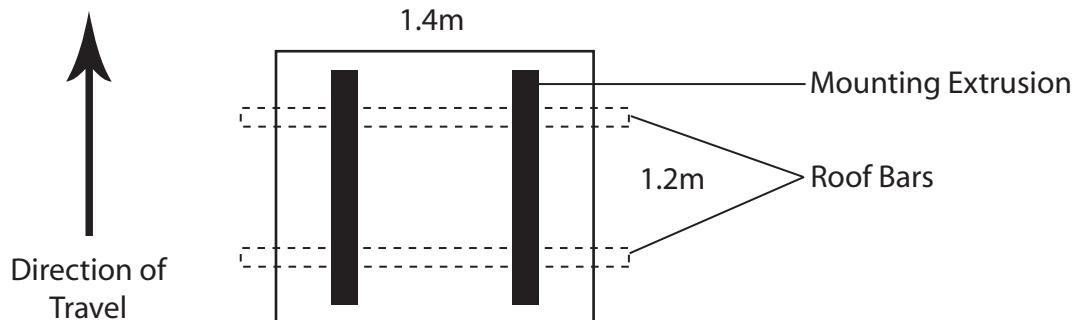


Diagram 1

The mounting extrusions are then bolted to the base of the tent at right angles to the roof rack or roof bars, in the direction of opening (along the length of the tent base).



# 1. Attaching the Mounting Rails to the ARB Rooftop Tent

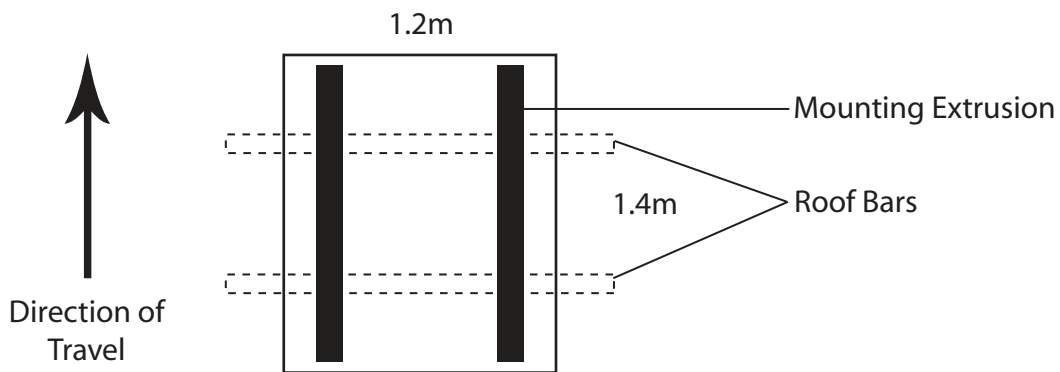
## 1.1. Direction of Opening (continued)

### “Off the Side”

For most medium or small vehicles opening “off the side” is preferable. The advantages of this orientation are:

- allows for lift up tailgates to operate normally.
- means the closed tent pack is better balanced on the roof and creates less wind drag as the narrow face of the tent pack is travelling forward.

The mounting extrusions bolt to the base of the tent at right angles to the roof rack or roof bars (across the width of the tent base)



Once you have decided which is best suited to your application, follow the mounting instructions. If you are uncertain of the most appropriate method of mounting your rooftop tent, please contact ARB Corporation Limited or your distributor who will be happy to provide advice particular to your circumstances.

## 1.2. Mounting Extrusion and Ladder - Attachment Instructions

1. Remove mounting extrusion from the carton (cut as per Diagram 1 if you intend opening the rooftop tent off the rear of your vehicle.)
2. Place the tent on its side on the ground onto a clean surface.
3. Using the supplied 8mm x 40mm bolts and large washers, slide your hand in between the inside of the base and the mattress and insert the bolts into the pre-drilled holes. See Diagram 2.
4. Place the mounting extrusion into position over the bolts.
5. Slide the 8mm nuts into the mounting extrusions and tighten the bolts from inside the tent. See Diagram 2.
6. Near the outside edges of the mounting extrusion you will find holes for the self drilling screws supplied. Use the self drilling screws to attach the outside edge of the mounting extrusion to the base of the tent through the pre-drilled holes. on the outer most edge of the extrusion.
7. Mount the Ladder brackets to the ladder using the supplied 6mm x 20mm bolts, washers, plastic washer and nut. See Figure 1.
8. Mount the ladder to the base of the tent using the 4 x 6mm x 45mm bolts. Bolt each ladder bracket to the base of the tent through the pre-drilled holes. See Figure 2.

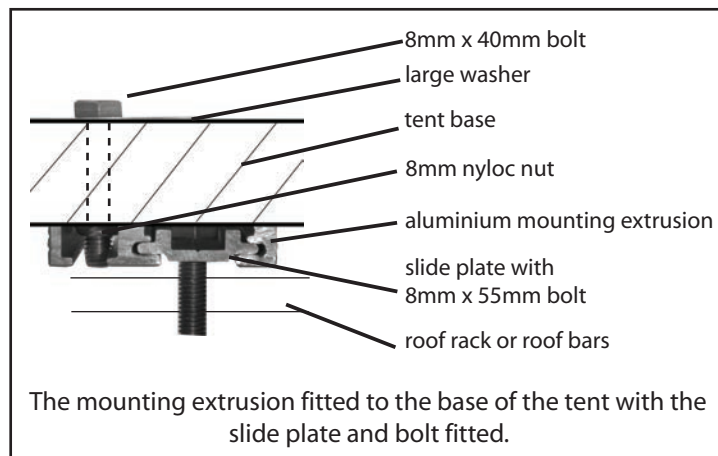


Diagram 2

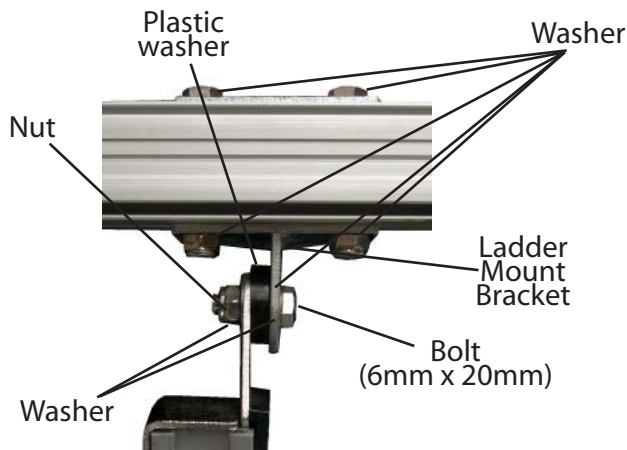


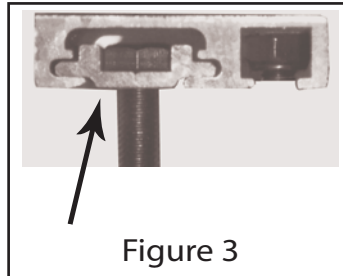
Figure 1



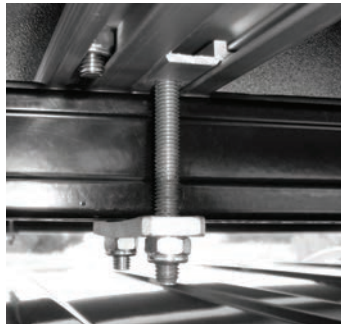
Figure 2

## 2. Fitting the Rooftop Tent to your Roof Rack or Roof Bars

1. Lift the tent onto the vehicle's roof rack or roof bars.
2. Place 8mm x 55mm bolt into the slide plate. Slide the plate and bolt into the mounting extrusion. See Figure 3.



3. Attach the rooftop tent to your roof rack or roof bars in four places as per Figure 4. Use 2 bolts and 2 slide plates with the base plate to hug the bar. 1 set per corner.



4. Prior to tightening all the nuts, ensure that your rooftop tent is centred (side to side) on the roof of your vehicle and that the mounting points (as far as possible) are symmetrically positioned near each corner of the tent.

### 3. Rooftop Tent Set Up Instructions

1. Remove the travel cover from the tent by unzipping around the 3 edges and slide the remaining edge from the rope track. See ①



2. Release the hold down velcro straps on each side of the tent. See ②



**NB - When closing the tent, do not use excessive force on the side retaining velcro straps. See caution on page 7.**

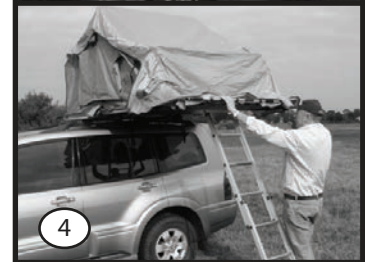
3. Slide out the ladder until the locking pins engage. The ladder can now be used as a lever to open the tent. See ③



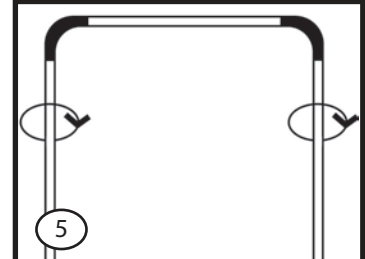
4. Rest the ladder on the ground.

Note: if the angle of the ladder is too upright or does not reach the ground you will require a ladder extension. See page 7.

5. Slide out the U-shaped aluminium veranda bow. See ④



To tighten the bow, rotate the tube on both sides of the bow to lock it in position. See ⑤



6. Extend and tighten the extendable bow inside the tent. This bow locks in position in the same way as the veranda bow in ⑤ above. See ⑥

Enter the tent and release the four elastic bungee cords from one side of the tent.



7. Retrieve the spring steel rods (SSR), these are used to tension the outside window awnings and flysheet. Hook the shaped end of the SSR into the eyelet of the flysheet or window awning. Insert the other end of the SSR into the hole in the base of the rooftop tent, passing through the slit in the rooftop tent skirt. This will require you to bend the SSR so that the angle of the SSR is equal to the angle of the hole into which it should be inserted. NB reverse this procedure to remove the SSR from the hole in the base of the rooftop tent. See ⑦

**8. Your Rooftop tent is now setup. If you have also purchased and ARB Rooftop Tent Annexe please follow the instructions on the following page.**

9. Repeat all the above steps in the reverse order to pack away your rooftop tent. When packing away your tent, depending on your bedding volume it may be necessary to take your pillows out of the tent.



## 4. Rooftop Tent Annexe Set Up Instructions

1. Remove the Annexe from its bag and unzip the back panel from the rest of the Annexe if necessary. This is the panel with a large inverted U-shaped zip for access to the vehicle. Slide the rope section of this panel into the rope track extrusion situated on the base of the tent. See ①

2. Tension the back panel and peg to the ground ensuring that the mud flap skirt is taught. See ②

3. Using the large section of the Annexe thread the rope section of each side into the appropriate side of the rope track extrusion on the base of the tent. See ③

4. Thread the remaining short piece of rope section around the corner piece into the rope track on the front of the base. See ④

5. Engage the zip sewn on the veranda skirt with the half of the zip on the annexe and zip completely around the veranda section of the tent. See ⑤

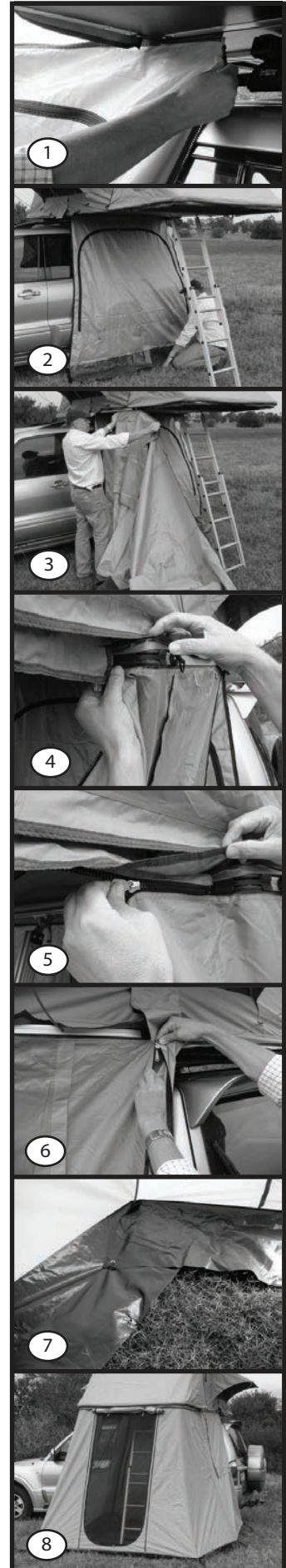
6. Engage the side zips that attach the back panel with the side walls of the annexe, and zip down to the ground. See ⑥

7. Arrange and secure the mud flaps with the pegs provided. See ⑦

8. Square out the floor of the annexe and peg into the ground using the supplied pegs, using the strap adjusters to tension the annexe. See ⑧

### Note:

- The annexe can be used without the back panel.
- The annexe is stored separately in its own bag.





## 5. Ladder Extension Accessory

A Ladder Extension may be required depending on the height of your vehicle (in most cases where the base of your rooftop tent is more than 2m off the ground).



If required slide ladder extension into the base of the main ladder. Position ladder and extension to an appropriate climbing angle. Drill two 8mm holes into the main ladder to accept the two locking pins from the ladder extension.

The overlap of the ladder extension to the main ladder must not be less than 240mm

The Ladder extension is stored separately in it's own bag.

## 6. Storage and Handling Guidelines

### 6.1. Cautions

- **Do not use excessive force on side retaining Velcro straps when closing the tent.** These straps are designed only to hold the tent base together, and are not designed to be used to pull the bases together. When you are closing the tent, hold down the top folded base to compact the tent, then use the Velcro straps to secure the bases in this position. These straps will tear out of the tent if excessive force is applied to the strap.
- **Do not store the tent wet.** If you do have to pack away when the tent is wet, zip closed all canvas doors and windows to protect the inside of the tent, and pack away. As soon as you can, open the tent and let it dry out thoroughly to prevent mould, mildew and rot. **If the tent is to be closed up for extended periods of time it is very important that the tent is completely dry.**
- **Do not drill locking holes below the existing locking pin holes in the ladder.** This will weaken the structure of the ladder and can cause injury. If you need to extend the length of your ladder, please purchase a ladder extension. If you need to shorten the ladder you can drill holes above the existing ladder locking pin holes.
- **Be aware that with a rooftop tent fitted to your vehicle the overall height is increased.** You should measure the overall height of your vehicle with the rooftop tent fitted as you will need this information to decide if the vehicle can enter car parks etc.
- **Centre of gravity.** The attachment of a rooftop tent to your vehicle (similar to any other load on your roof rack) will alter its centre of gravity. Adjust your driving accordingly.
- **In trip inspections.** Regularly check that all nuts and bolts attaching your rooftop tent to the roof of your vehicle are tight and in good repair. Travel cover straps should be checked that they are tight and the zipper should be fully closed.
- **Do not force the Zipper.** The zipper is not designed to be forced closed or to have load applied to it. Always bring the two unzipped sections of zip together and **ONLY** pull the slider in the direction of travel of the zipper, **NOT** at an angle adjacent to as this will damage the zipper and cause it to fail. If the zipper is stiff to operate, clean dust and debris from the zipper with a soft brush before opening it further. The zipper can be lubricated with commercially available zipper lubricant or paraffin wax.

## 6.2. Storage of the Tent

1. If the tent is stored on the vehicle for extended periods and is exposed to the elements, it is possible for the tent to absorb moisture from the air into the canvas fabric. For this reason the tent should be opened periodically and allowed to air or dry. It is not recommended to store the tent on the vehicle during winter months or periods of extended rain.
2. When storing the tent off the vehicle, ensure the tent is packed away completely dry and kept out of direct sunlight. If the tent is stored in humid conditions, unzip or remove the travel cover to allow the canvas to breathe and dry. It is recommended to store the tent indoors in a warm, dry environment.
3. Be careful not to drag the tent on the ground. This will damage the cover and allow potential water ingress the next time you use your rooftop tent.
4. Do not store directly on a concrete floor.

## 6.3. Care Instructions

1. Clean all parts of the tent with cold water and a soft brush only - do not use soap or detergent as these may damage the coating on the fabric, or cause corrosion to metal and alloy parts. Pay particular attention to remove dirt, bird droppings and vegetation such as leaves as these can cause the tent to rot when packed away.
2. Clean the travel cover regularly to reduce the effects of acid rain and other air born contaminants. To extend the life of the PVC cover, regularly treat with a UV protectant such as '303 Aerospace Protectant' or 'Armor All Protectant'.
3. Do not expose any part of the tent to petrol, oil, solvents or similar.
4. Zippers should be cleaned regularly by brushing with a soft brush and wiping with a damp cloth. Zippers that become stiff to operate may be lubricated periodically with commercially available zipper lubricant or paraffin wax.  
Note: Do not over lubricate as this may attract dust and debris.
5. New poly/cotton canvas may initially experience some weeping through the seems. This will reduce over time as the fabric cures.
6. Well worn fabrics may be re-proofed using a good quality waterproofing solution.
7. Always air your tent before and after use to allow any moisture or condensation to dissipate. The travel cover has welded seams and is near water tight to keep the elements out. As soon as the travel cover is fitted and warms up in sunlight it can heat any trapped moisture which will create an environment where mould, mildew and rot can set in quickly.
8. If mould and mildew is found on any part of the tent fabric, allow the tent to dry thoroughly in the sun to prevent it spreading. Use a soft bristled brush to remove any particles. Mildew remover may be effective but test first on an obscure part of the tent fabric. DO NOT use any bleach solutions on the fabric as they may discolor the tent and damage the PU coating on the fabric. The best cure for mould and mildew is to prevent its growth in the first place by ensuring the tent is packed and stored thoroughly dry.

## Warranty Terms and Conditions

The ARB Touring Rooftop Tent comes with a 2 year (24 month) warranty, effective from the date of purchase.

The warranty covers all aspects of workmanship, finish and fabric.

ARB Corporation Ltd will, at its discretion, repair or replace at no charge any fault if:

- The fault occurs under normal circumstances, where the ARB Touring Rooftop Tent has been installed & used in accordance with the instructions set out in your owners manual.
- The fault is found to be caused by defective or faulty materials, workmanship or manufacturing process.
- Original proof and date of purchase is provided.

This warranty does not cover transport/postal costs and in-transit insurance costs to/from ARB Corporation Ltd. This warranty applies to the original purchaser and is not transferable.

All faulty goods needing repair must be returned to ARB or your nearest distributor.

ARB Corporation Ltd accepts no responsibility for any damage caused by external factors, i.e. trees, corrugations, shopping centre carparks etc.

**ARB Corporation Limited**  
**Ph: +61 3 9761 6622**  
**[www.arb.com.au](http://www.arb.com.au)**