



# VOLKSWAGEN Multivan T7 2021+

## INSTALLATION GUIDE

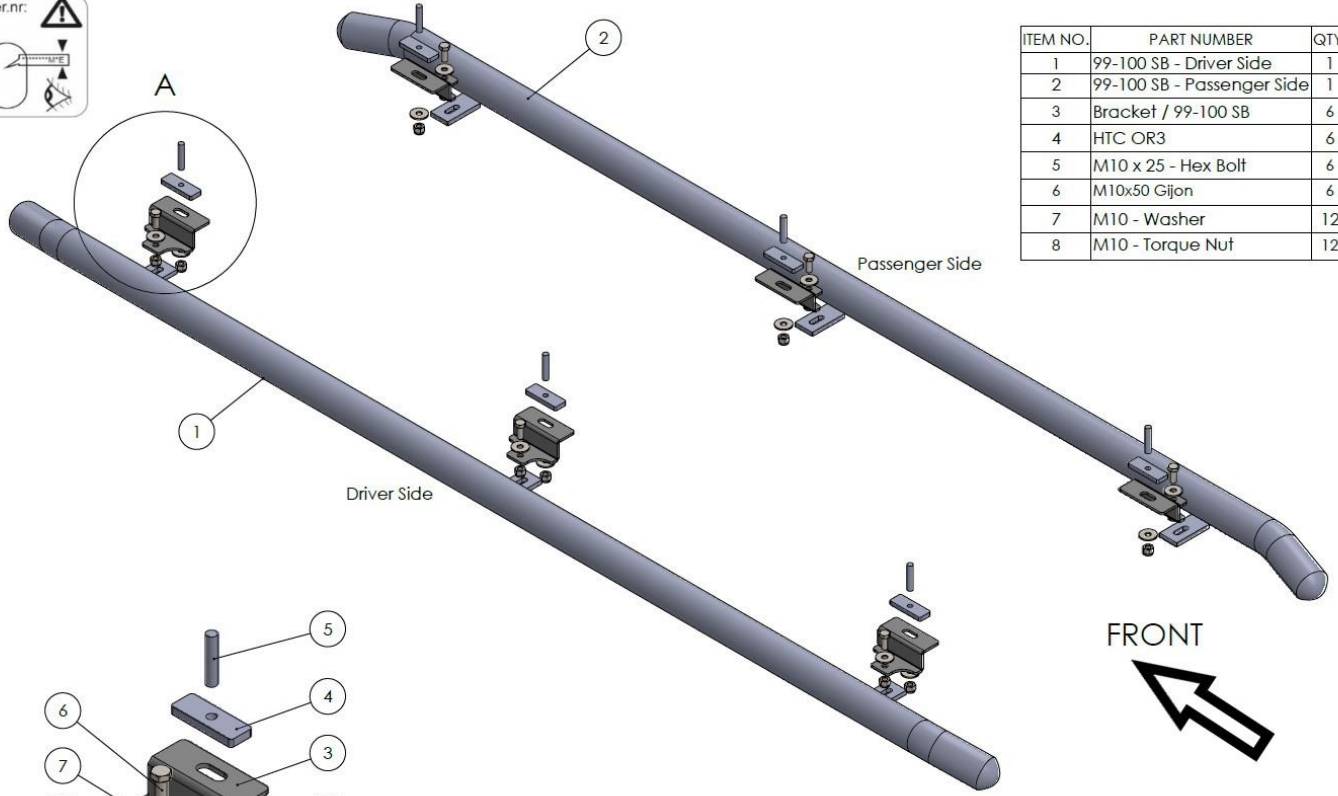


60 min.

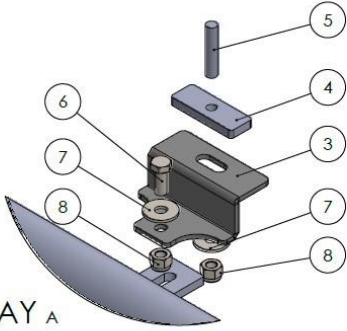
## Safety Instructions

- Carefully unpack the product and check whether the product is correct and complete. (Blows, scratches, dents, etc.)
- Two personnel should be present during the assembly process. Perform the assembly process with two people.
- Take all your safety precautions before starting the assembly.
- Take the vehicle to be assembled to the area to be mounted in a suitable and positioned position. (Lift etc.)
- While the vehicle is being taken off the lift, position it parallel to the lift and properly.
- Be sure to supply the tools required for the assembly process in advance.
- Check that all materials are complete and complete by referring to page 3 of the installation manual.
- When attaching the product to the apparatus, the forward, backward / right, left settings should be correct. Care should be taken not to collide with the mat or any other place on the vehicle.
- During the assembly of the product, carefully follow all the steps by carefully following the assembly guide that comes out of the box of the product.
- The product apparatus is designed to assemble to your vehicle without any welding. Do not weld in any way.
- Do not tighten the bolts before aligning the product to the apparatus and the vehicle.
- After making all your adjustments, tighten all the bolts.
- Do not throw away the boxes until the assembly process is completed.
- Finally, when the assembly is finished, make your checks and finish the process and throw the packaging away.

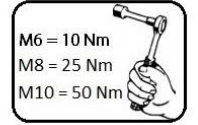
**Note: Our company is not responsible for the problems caused by not following the general safety instructions above.**



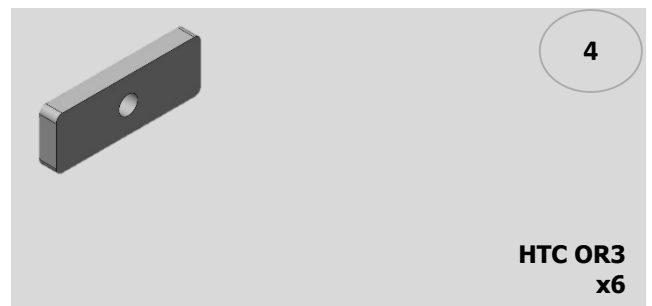
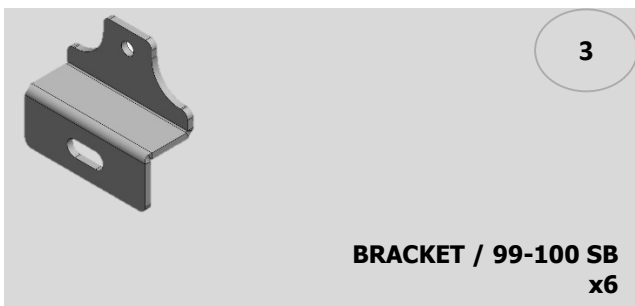
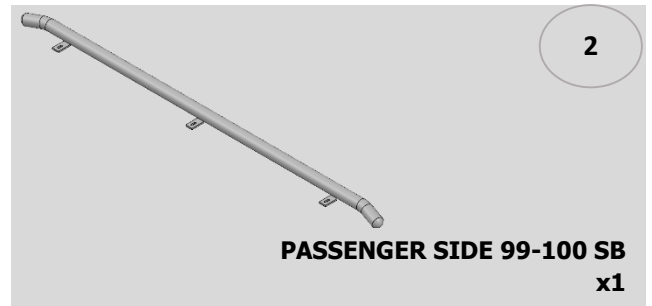
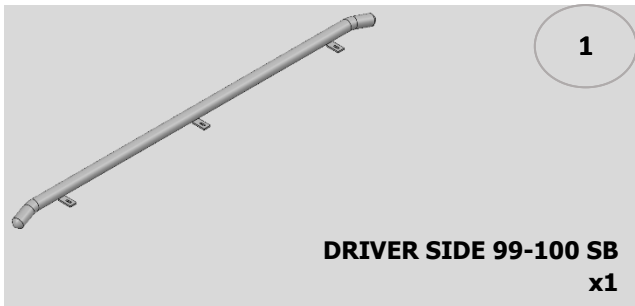
ITEM NO.	PART NUMBER	QTY.
1	99-100 SB - Driver Side	1
2	99-100 SB - Passenger Side	1
3	Bracket / 99-100 SB	6
4	HTC OR3	6
5	M10 x 25 - Hex Bolt	6
6	M10x50 Gijon	6
7	M10 - Washer	12
8	M10 - Torque Nut	12



DETAY A  
ÖLÇEK 1 : 3



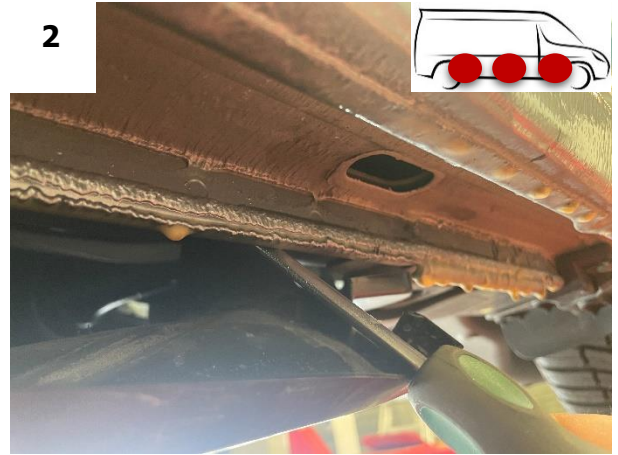
## Box Contents



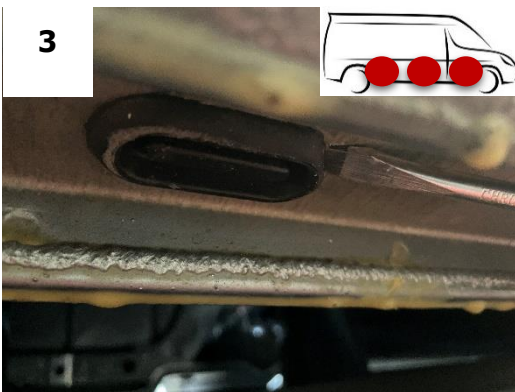
# Brackets Assembly



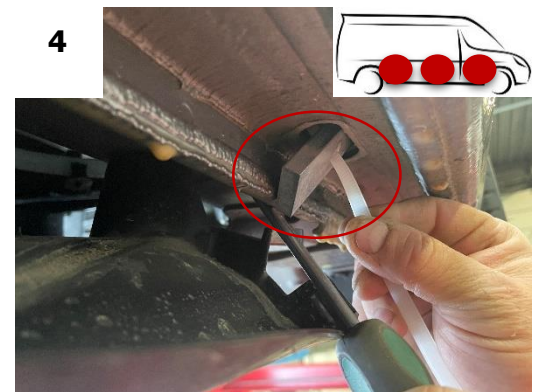
Remove nuts from bottom plate.



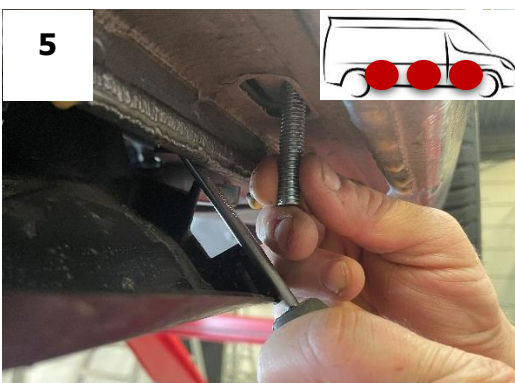
Put bottom plate aside



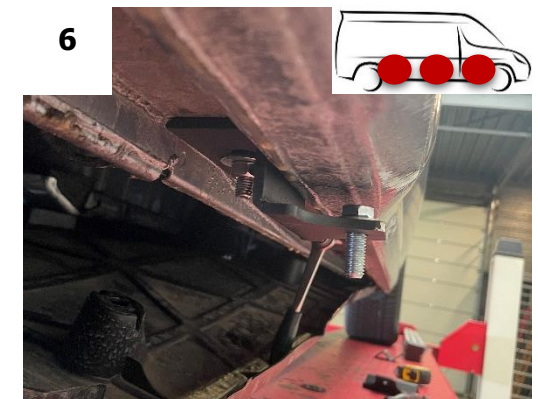
Remove covers from.



Insert the HTCOR3 into the area marked in the figure.



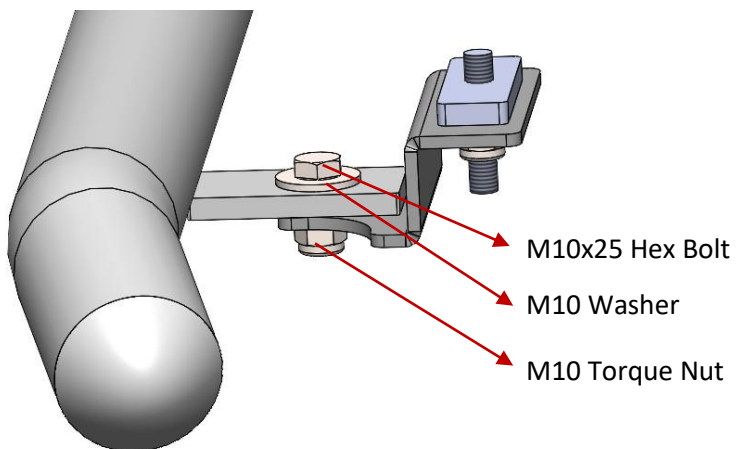
Mount M10x50 inside nutplate.



Place screw on bracket first  
Place bracker on the vehicle and tighten with nut + rivet

**REPEAT FOR OTHER SIDE**

## Side Steps Assembly



Place sidebar to the brackets ( bolds) and tighten them with nuts and rivets.

Tighten everything with correct moment and replace bottom cover.

