

82IRL - CS001 - ROOF RACK

FITTING FOR:

PEUGEOT EXPERT 2017+ SWB (L1)



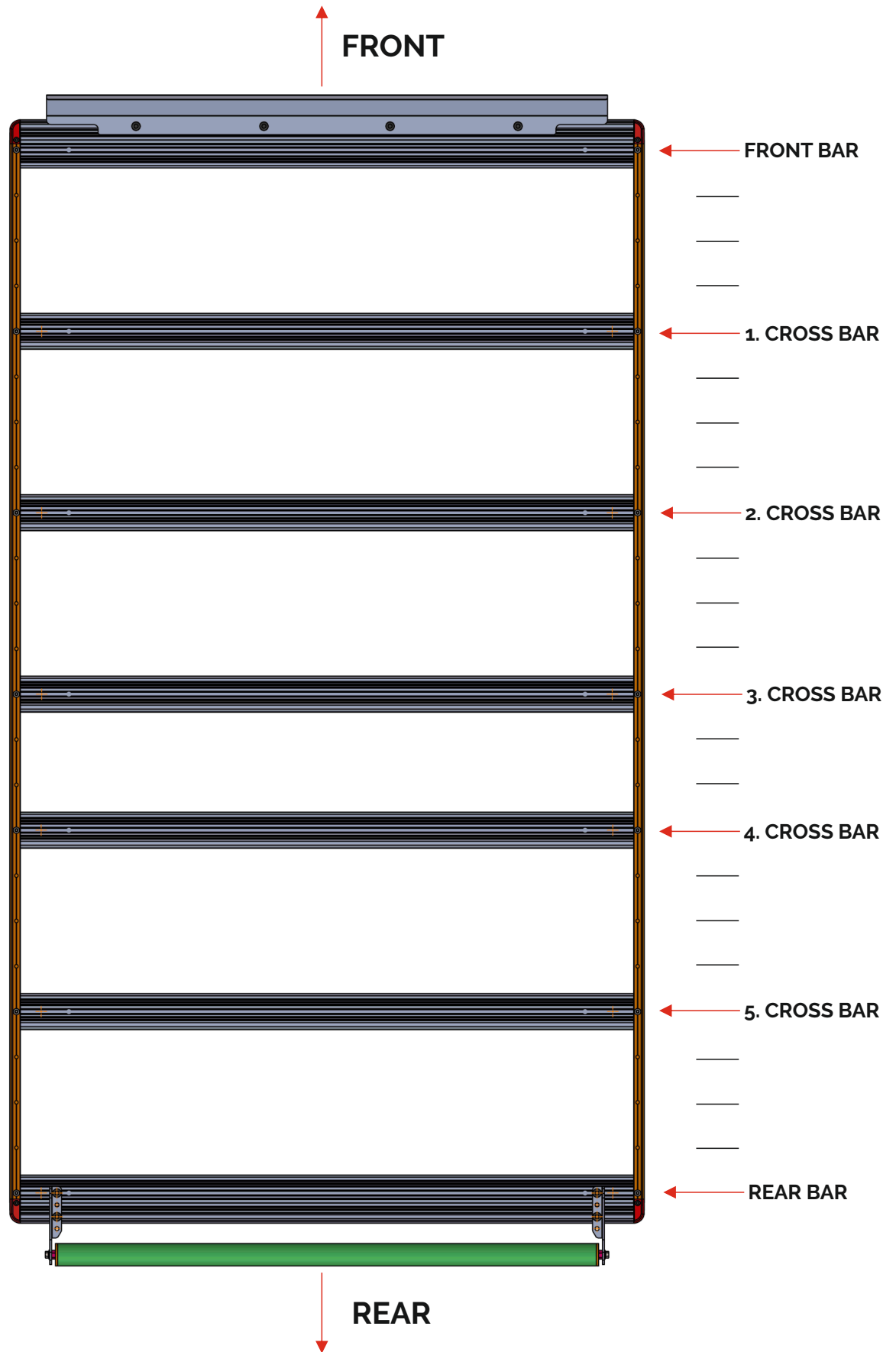
INSTALLATION INSTRUCTIONS

ATTENTION!

- Check the box before installation.
- Read the guide before installation for your safety and making complete installation.
- Make the installation according to the installation guide otherwise, our company has no responsibility for any damage.
- If you any have questions please contact our company.

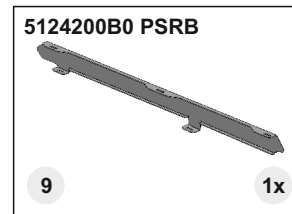
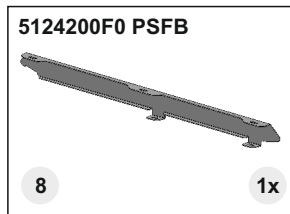
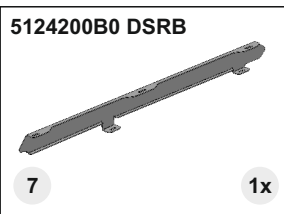
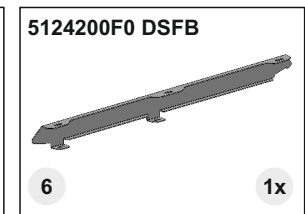
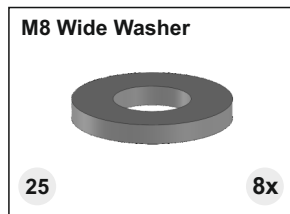
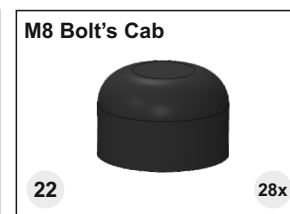
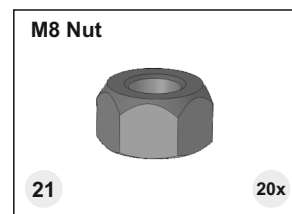
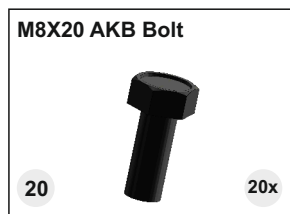
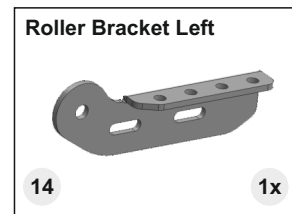
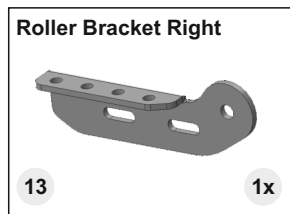
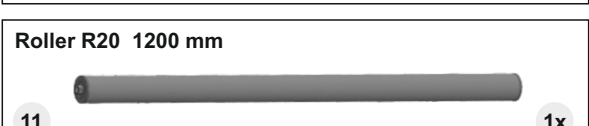
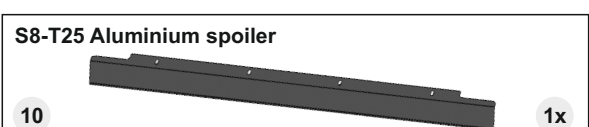
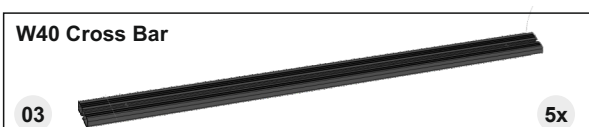
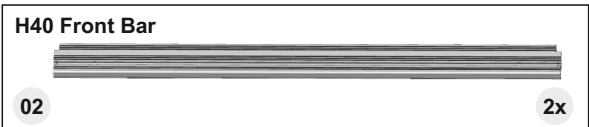
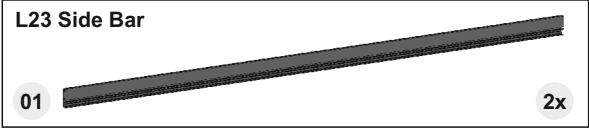
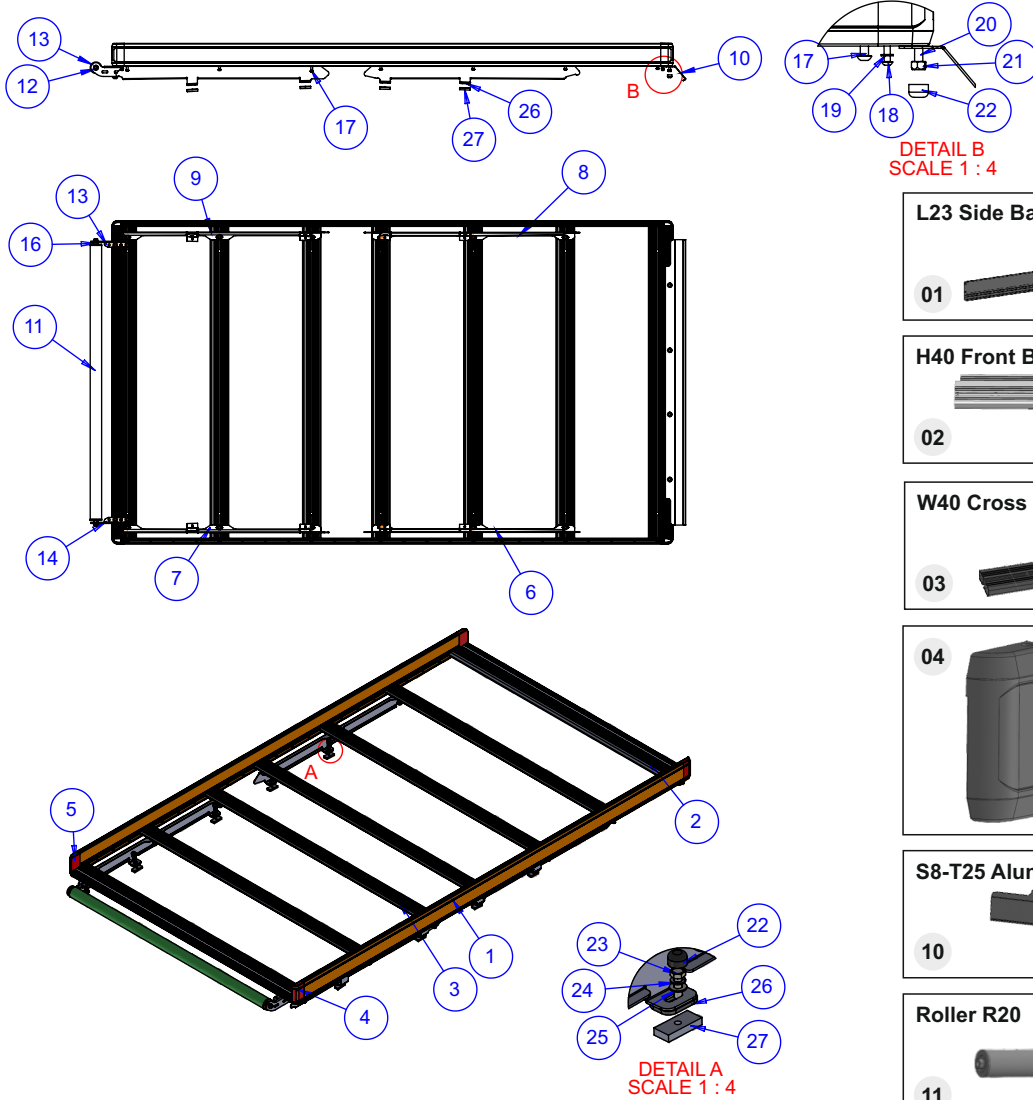
INSTALLATION OF CROSS PROFILES

WARNING: THIS PROCESS WILL BE MADE BEFORE 5TH STEP IN THE PRODUCT GUIDE.



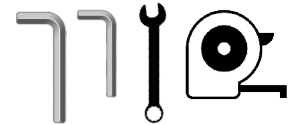
CROSS PROFILES WILL BE MOUNTED AS SHOWN ON FIGURE ABOVE.

NECESSARY MATERIALS



NECESSARY TOOLS

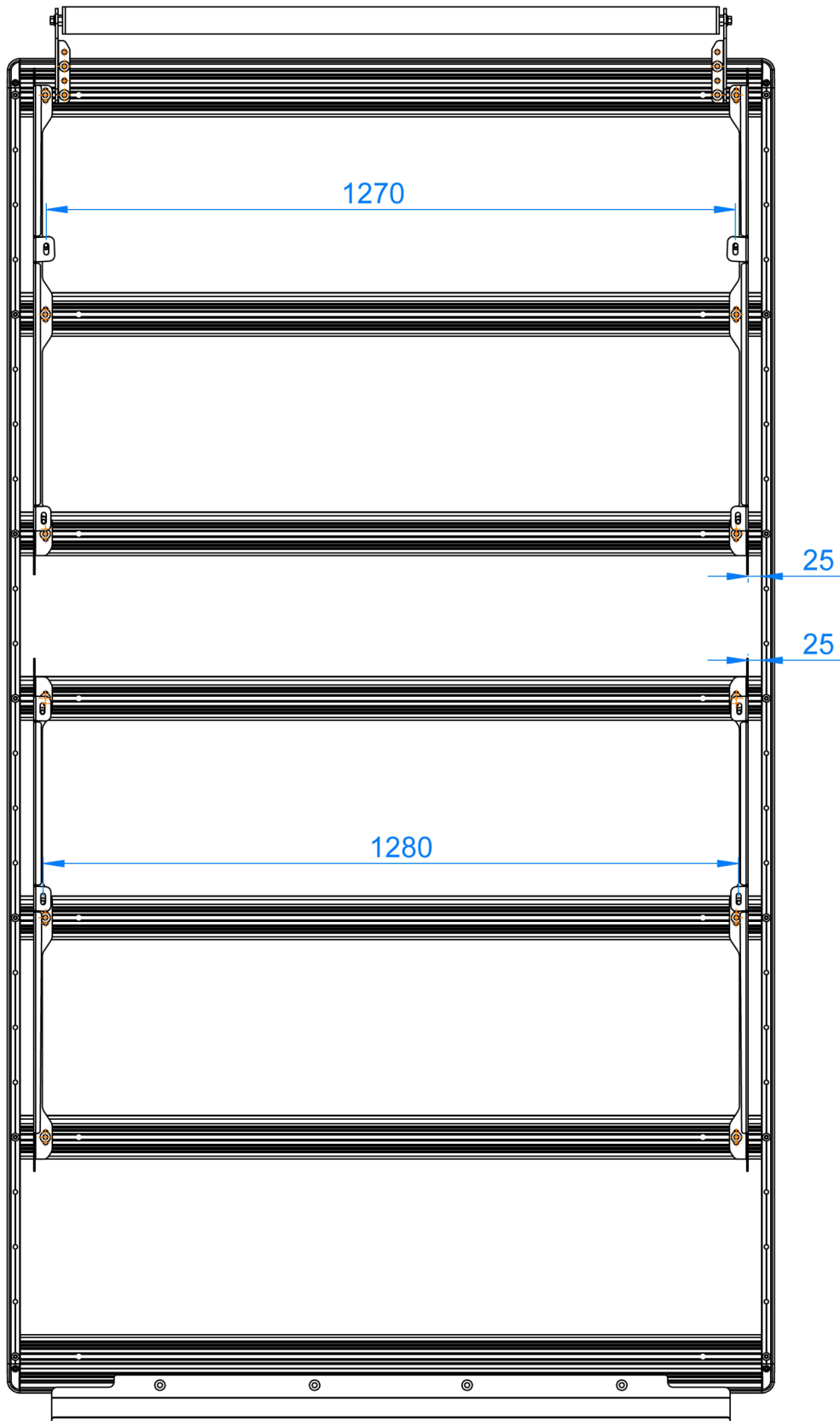
Allen Key 5 mm
Spanner 13 mm
Meter



ITEM NO.	PART NUMBER	DESCRIPTION	QTY.
1	L23	Side Bar	2
2	H40	Front Bar	2
3	W40	Cross Bar	5
4	C5-AK1--1	Cap Left	2
5	C5-AK1--2	Cap Right	2
6	5125200F0	Driver Side Front Bracket	1
7	5125200B0	Driver Side Rear Bracket	1
8	5125200F0	Passenger Side Front Bracket	1
9	5125200B0	Passenger Side RearBracket	1
10	S8-T25	Aluminium Spoiler	1
11	Roller R20	1200mm	1
12	M10 x 20 AKB Bolt	Stainless-Chrome	2
13	Roller Yan Aparat	Left	1
14	Roller Yan Aparat	Right	1
15	P9-C3 R2	Roller Plastic	2
16	P9-C3 R3	M10 Nut	2
17	M8x25 Allen Bolt	Stainless-Chrome	14
18	M6x16 Allen Bolt	Stainless-Chrome	4
19	M6 Spring Washer	Stainless-Chrome	4
20	M8x20 AKB Bolt	Stainless-Chrome	20
21	M8 Nut	Stainless-Chrome	20
22	M8 Bolt's Cab	Black-Plastic	28
23	M8x25 AKB Bolt	Stainless-Chrome	8
24	M8 Spring Washer	Stainless-Chrome	8
25	M8 Wide Washer	Stainless-Chrome	8
26	5124 Rubber	Rubber-Black	8
27	HTCOR9	M8 Thikness:8 mm	8
28	Sista Silicon	Silicon Package	1

INSTALLING BRACKETS TO THE ROOF RACK

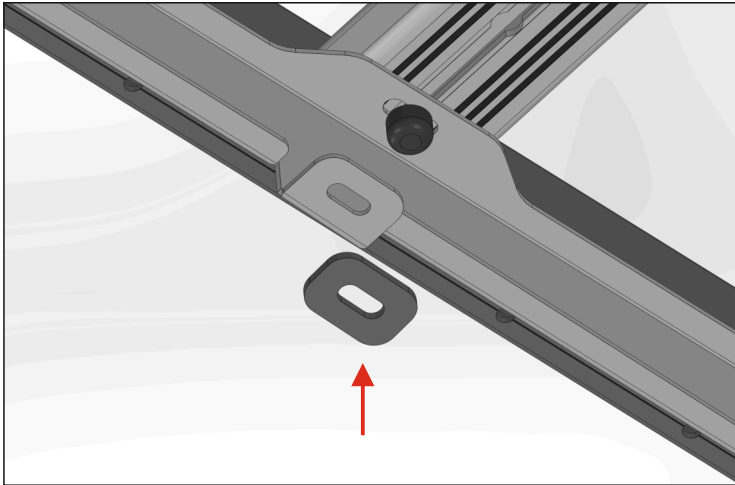
REAR



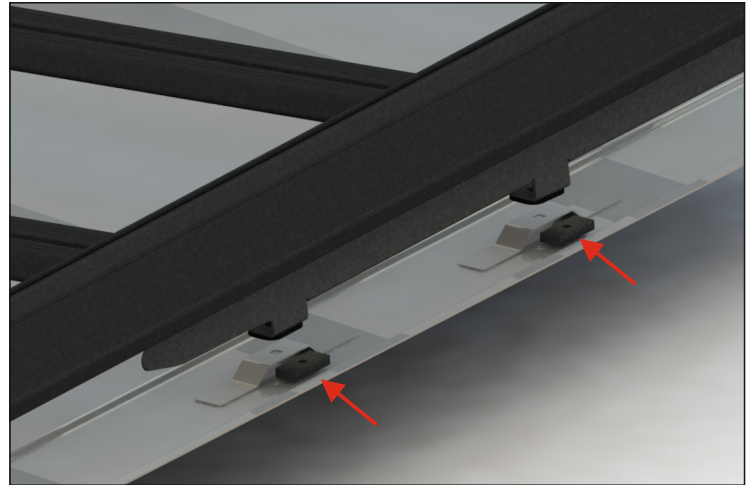
FRONT



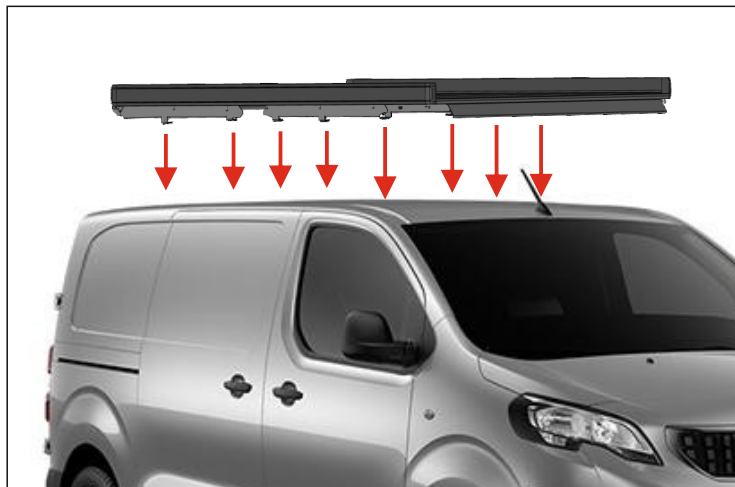
ASSEMBLY OF THE ROOF RACK ON THE VEHICLE



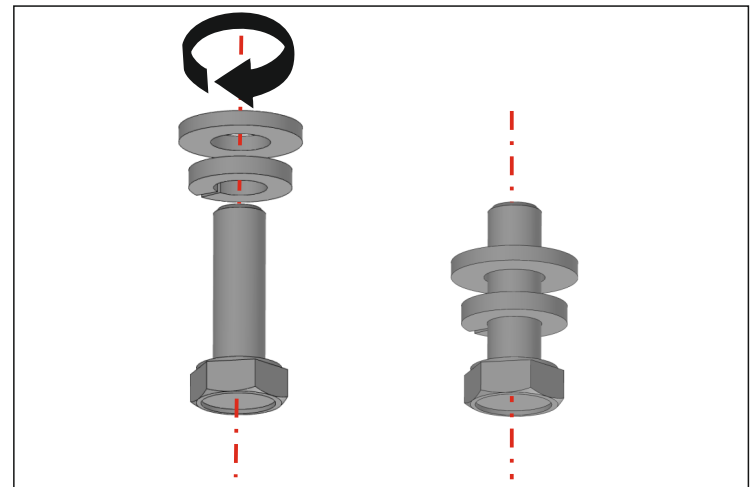
STEP-1 Put supplied rubber part in the bottom part of the bracket on the vehicle.



STEP-2 Put the part named HTCOR9 under the bracket on the vehicle. Then settle the roof rack's bracket as shown.



STEP-3 Match holes of the assembled roof rack to holes on the vehicle.



STEP-4 Attach spring washer first then flat washer to M8x25 hex bolts

STEP-5 Apply the silicon around the hole and pass to 6th step before it gets dry.



STEP-6 Fix the bracket with bolt to the holes on the vehicle. Repeat this process for all brackets.

CONTROL ALL INSTALLATION AND FINISH ASSEMBLY AFTER INSTALLING PLASTIC BOLT CAPS TO M8 HEX NUTS.

